



Mindian Electric Co., Ltd.

Malujiao Industrial Park, Beibaixiang Town, Yueqing City,
Zhejiang Province, China



www.moredaydc.com
info@moreday.com

YB231114EN



Solar Photovoltaic Components



WWW.MOREDAYDC.COM

Mindian Electric Co.,Ltd





100+

Countries And regions across the globe

5GW

Total 2000+ Project experience

Founded in 2009, Moreday Solar is a R&D and manufacturing company integrating photovoltaics and new energy industry. The original intention of Moreday Solar is to bring more clean energy to the world and enjoy a better life.

The company's main products: photovoltaic convergence and grid-connected products, low-voltage electrical, energy storage and application products, solar power transmission and distribution products and solar system manufacturing.

The company takes solar energy sharing as its vision, technological innovation as its driving force, customer-oriented, and has obtained more than 30 national patents. Its products have passed CQC, CE, CB, TUV, ROHS and other certifications, and ISO9001 quality system certification, with more than 1,000 services. Customers, the products are exported to more than 50 countries in Europe, America, Southeast Asia, the Middle East and other regions.

We hope to work with more partners to bring solar energy to every region of the world, promote the widespread use of green and clean energy, and leave more day for the earth.

Plant and equipment

Our company has advanced production equipment, testing instruments, a mature technical team, and a good corporate culture.

Production workshop and testing equipment



Production workshop and equipment



Mold production workshop and equipment



Product Introduction

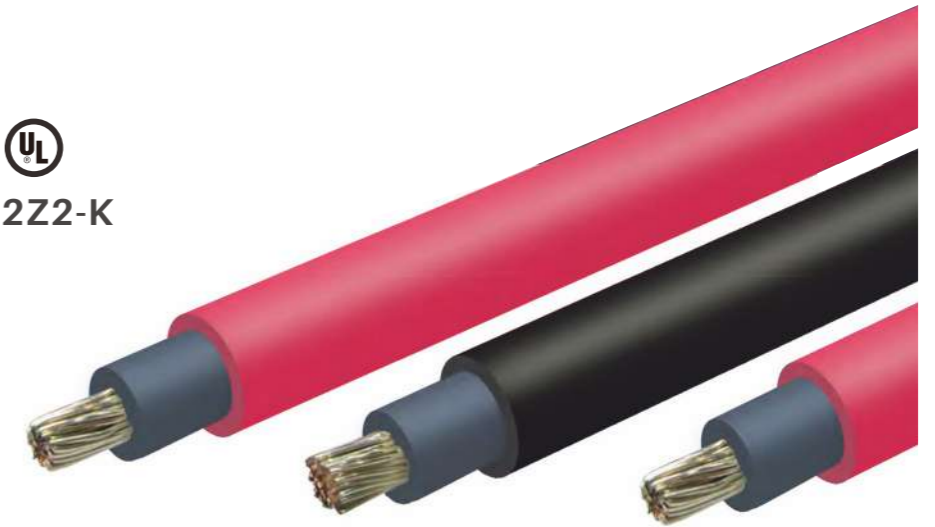
DC Solar Cable

Application

The PV Cable is suitable for the output of PV junction boxes, the connection between solar PV modules and the connection between PV modules and DC combiner boxes or inverters.



629301EC131/H1Z2Z2-K



PV Cable design

- Conductor: Tinned copper wires, according IEC 60228, Class 5
- Insulation: 125°C Low-smoke, halogen-free, flame retardant, electron beam cross-linked PO (polyolefin)
- Sheath: 125°C Low-smoke, halogen-free, flame retardant, electron beam cross-linked PO (polyolefin)
- Special process: Electron beam cross-linked

Electrical Parameters

- Rated voltage: AC 0.6/1.0KV, DC 1.8KV for PV1-F/AC 1.0KV, DC 1.5KV for 629301EC131 & H1Z2Z2-K
- Temperature range: -40°C to +90°C
- Max conductor temperature: 120°C

Product Parameters

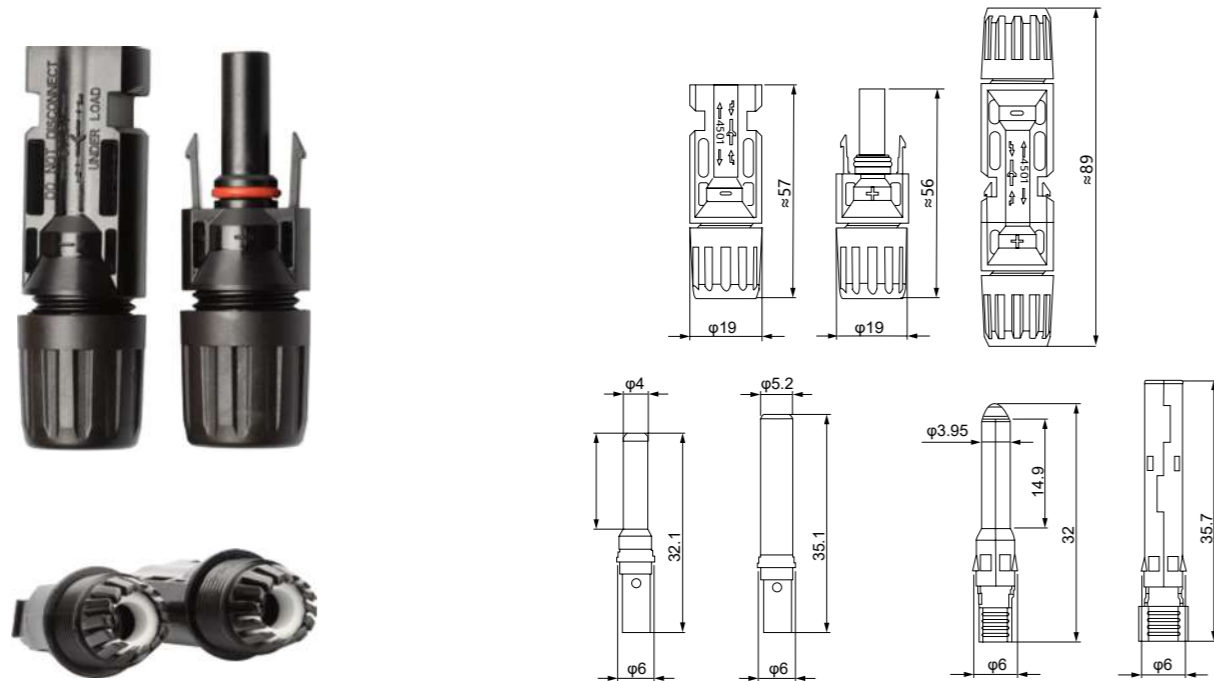
Item NO.	Item Model	Rated Voltage	Conductor Cross-section (mm ²)	Strand design Number/Dia. (n/mm)	Conductor Resistance (Ω/km)	Outer Dia. (mm)	Sheath Color
PV-H1-15B	H1Z2Z2-K/IEC131	1500V DC	1*1.5	30/0.25	13.70	4.7	Black
PV-H1-15R	H1Z2Z2-K/IEC131	1500VDC	1*1.5	30/0.25	13.70	4.7	Red
PV-H1-25B	H1Z2Z2-K/IEC131	1500V DC	1*2.5	49/0.25	8.21	5.3	Black
PV-H1-25R	H1Z2Z2-K/IEC131	1500V DC	1*2.5	49/0.25	8.21	5.3	Red
PV-H1-40B	H1Z2Z2-K/IEC131	1500V DC	1*4.0	56/0.28	5.09	5.7	Black
PV-H1-40R	H1Z2Z2-K/IEC131	1500V DC	1*4.0	56/0.28	5.09	5.7	Red
PV-H1-60B	H1Z2Z2-K/IEC131	1500VDC	1*6.0	84/0.28	3.39	6.2	Black
PV-H1-60R	H1Z2Z2-K/IEC131	1500V DC	1*6.0	84/0.28	3.39	6.2	Red
PV-H1-100B	H1Z2Z2-K/IEC131	1500V DC	1*10	77/0.4	1.95	7.3	Black
PV-H1-100R	H1Z2Z2-K/IEC131	1500V DC	1*10	77/0.4	1.95	7.3	Red
PV-H1-160B	H1Z2Z2-K/IEC131	1500VDC	1*16	126/0.4	1.24	9.3	Black
PV-H1-160R	H1Z2Z2-K/IEC131	1500V DC	1*16	126/0.4	1.24	9.3	Red
PV-H1-250B	H1Z2Z2-K/IEC131	1500V DC	1*25	196/0.4	0.795	11.2	Black
PV-H1-250R	H1Z2Z2-K/IEC131	1500V DC	1*25	196/0.4	0.795	11.2	Red
PV-H1-350B	H1Z2Z2-K/IEC131	1500V DC	1*35	273/0.4	0.565	12.6	Black
PV-H1-350R	H1Z2Z2-K/IEC131	1500VDC	1*35	273/0.4	0.565	12.6	Red

Note: The conductor tolerance of all models of Cables: ± 0.008 mm
The outer diameter tolerance is ± 0.15 mm

Warning

- PV cables shall not be laid overhead without adding metal protective layer.
- PV cables shall not be immersed in water for long time, and prevent it from being in a humid environment for a long time which may be caused by construction reasons.
- PV cables shall not be directly buried underground.
- Special PV connectors should be used for PV cables connection and installed by professional electricians.

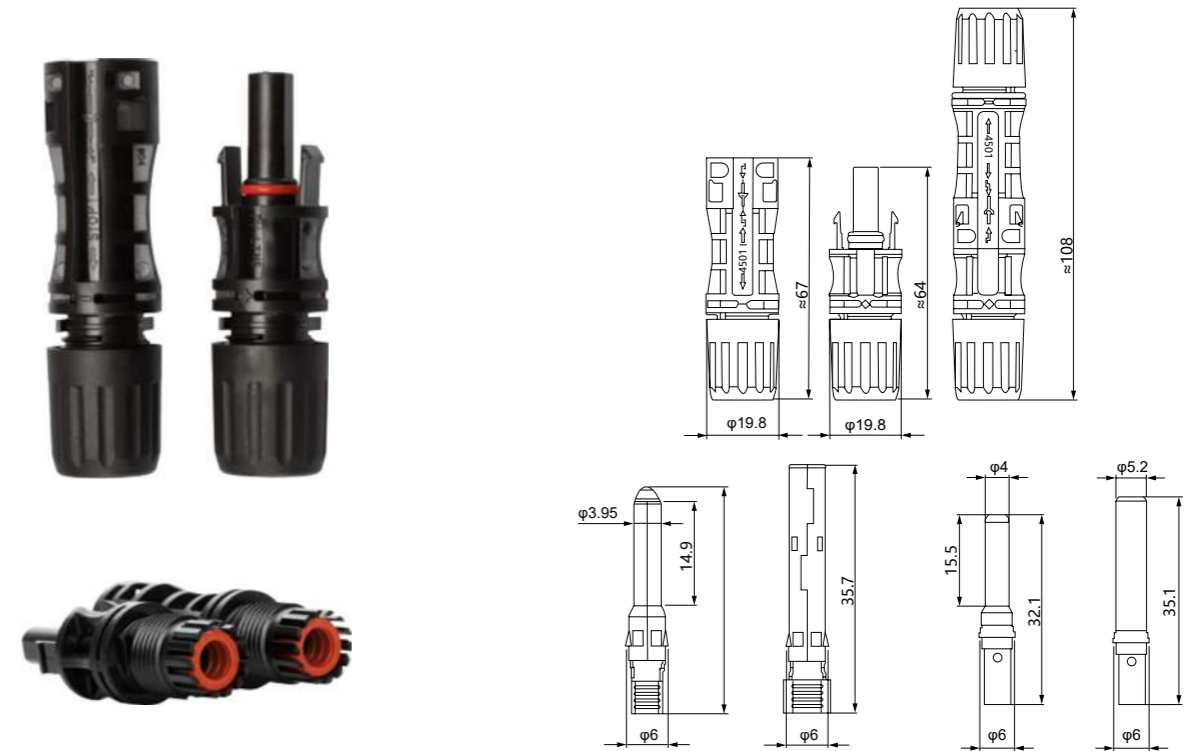
MD-MC4(1000V)



Product Parameters

Connector system	Φ4mm
Rated voltage	1000V DC(IEC) ¹
Rated current	17A,22A,30A(1.5mm ² ,2.5mm ² ; 14AWG,4mm ² ; 6mm ² ; 12AWG,10AWG)
Test voltage	6kV(50Hz,1min.)
Temperature Range	-40°C...+90°(IEC) -40°C...+75°C(UL)
Upper Temperature Limit	+105°C (IEC)
Degree of protection,mated	IP67
unmated	IP2X
Contact reastanceof plug conrwtors	0.5mΩ
Safety class	II
Contact matenal	Messing,verzintt Copper Alloy,tin plated
Insulation matenal	PC/PPO
Lockirg system	Snap-in
Flane class	UL-94-V0
Salt mist spray test,degree of severity 5	IEC 60068-2-52

MD-MC4(1500V)

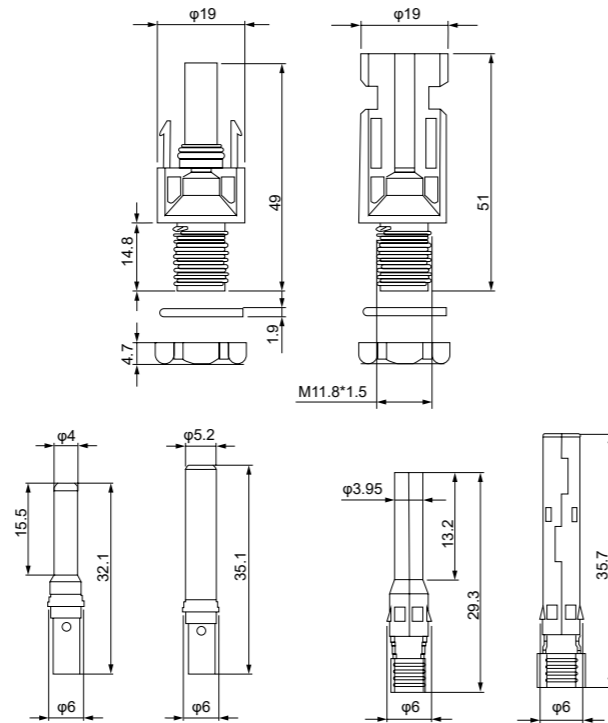


Product Parameters

Connector system	Φ4mm
Rated voltage	1500V DC(IEC) ¹
Rated current	17A,22A,30A(1.5mm ² ,2.5mm ² ; 14AWG,4mm ² ; 6mm ² ; 12AWG,10AWG)
Test voltage	6kV(50Hz,1min.)
Temperature Range	-40°C...+90°(IEC) -40°C...+75°C(UL)
Upper Temperature Limit	+105°C (IEC)
Degree of protection,mated	IP67
unmated	IP2X
Contact reastanceof plug conrwtors	0.5mΩ
Safety class	II
Contact matenal	Messing,verzintt Copper Alloy,tin plated
Insulation matenal	PC/PV
Lockirg system	Snap-in
Flane class	UL-94-V0
Salt mist spray test,degree of severity 5	IEC 60068-2-52

Solar DC Panel Connector

PV-MD-MC4-S

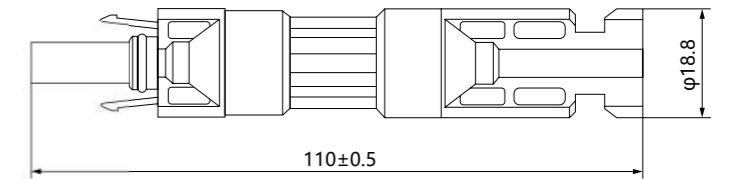


Product Parameters

Connector system	Φ4mm
Rated voltage	1000V/1500V DC(IEC) ¹
Rated current	17A,22A,30A(1.5mm ² ,2.5mm ² ; 14AWG,4mm ² ; 6mm ² ; 12AWG,10AWG)
Test voltage	6kV(50Hz,1min.)
Temperature Range	-40°C...+90°C(IEC) -40°C...+75°C(UL)
Upper Temperature Limit	+105°C (IEC)
Degree of protection,mated	IP67
unmated	IP2X
Contact reastanceof plug conrwrtors	0.5mΩ
Safety class	II
Contact matenal	Messing,verzintt Copper Alloy,tin plated
Insulation matenal	PC/PPO
Lockirg system	Snap-in
Flane class	UL-94-V0
Salt mist spray test,degree of sevenity 5	IEC 60068-2-52

Solar DC Panel Connector With Diode

10A/15A/20A



Product Parameters

Connector system	Φ4mm
Rated voltage	1000V DC(IEC) ¹
Rated current	10A,15A,20A(1.5mm ² ,2.5mm ² ; 14AWG,4mm ² ; 6mm ² ; 12AWG,10AWG)
Test voltage	6kV(50Hz,1min.)
Temperature Range	-40°C...+90°C(IEC) -40°C...+75°C(UL)
Upper Temperature Limit	+105°C (IEC)
Degree of protection,mated	IP67
unmated	IP2X
Contact reastanceof plug conrwrtors	0.5mΩ
Safety class	II
Contact matenal	Messing,verzintt Copper Alloy,tin plated
Insulation matenal	PC/PV
Lockirg system	Snap-in
Flane class	UL-94-V0
Salt mist spray test,degree of sevenity 5	IEC 60068-2-52

Solar DC Panel Connector With PV Fuse

PV-MD-MC4-S

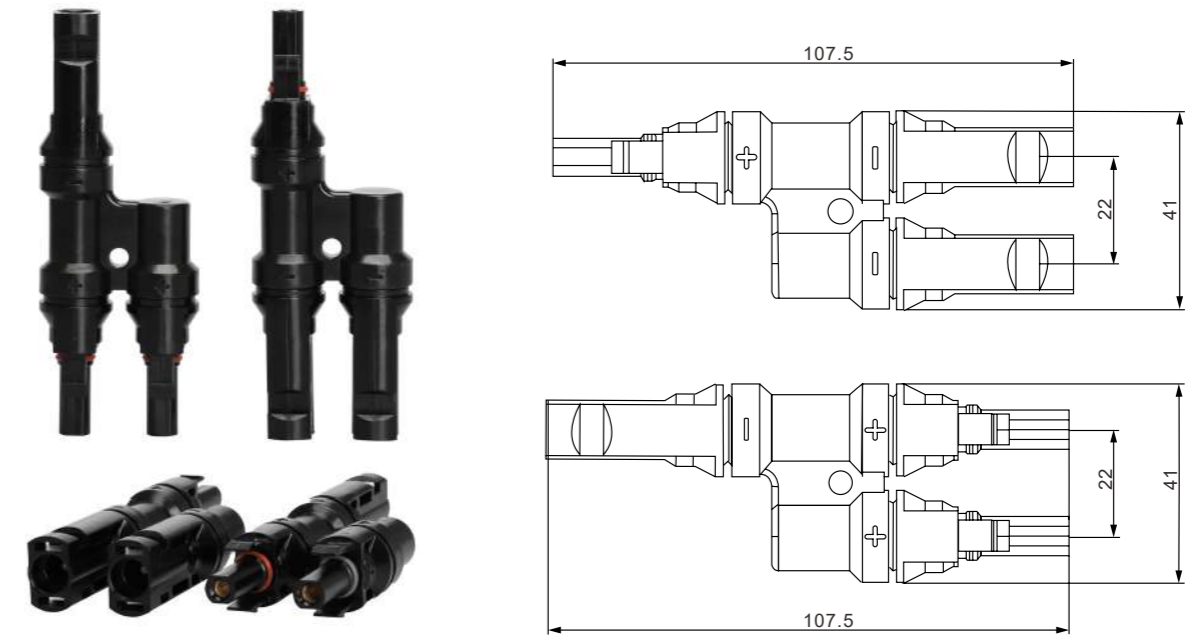


Product Parameters

Connector system	Φ4mm
Rated voltage	1000V/1500V DC(IEC) ¹
Rated current	10A,15A,20A,30A(1.5mm ² ,2.5mm ² ; 14AWG,4mm ² ; 6mm ² ; 12AWG,10AWG)
Test voltage	6kV(50Hz,1min.)
Temperature Range	-40°C...+90°C(IEC) -40°C...+75°C(UL)
Upper Temperature Limit	+105°C (IEC)
Degree of protection,mated	IP67
unmated	IP2X
Contact resistance of plug connectors	0.5mΩ
Safety class	II
Contact material	Messing,verzinkt Copper Alloy,tin plated
Insulation material	PC/PPO
Locking system	Snap-in
Flame class	UL-94-V0
Salt mist spray test,degree of severity 5	IEC 60068-2-52

Solar DC Panel Connector

PV-MDT2



Product Parameters

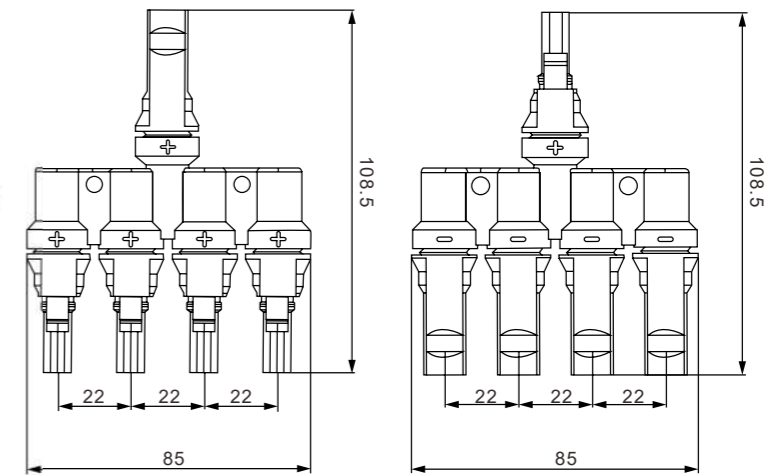
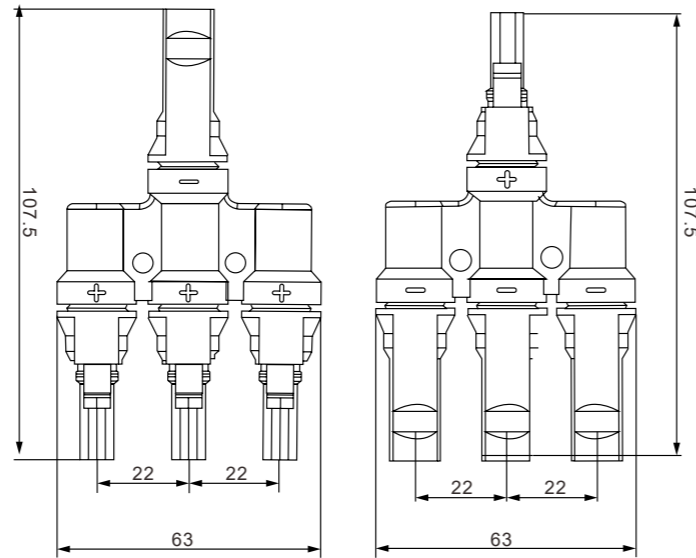
Insulation Material	PPO
Contact Material	Copper,Tin plated
Suitable Current	30A
Rated Voltage	1000V (TUV) 600V (UL)
Test Voltage	6KV (TUV50Hz,1min)
Contact Resistance	<0.5mΩ
Degree Of Protection	IP 67
Temperature Range	-40°C~+ 85°C
Flame Class	UL94-V0
Safety Class	II
Pin Dimensions	Φ4mm

Panel Branch Connector

PV-MDT3



PV-MDT4



Product Parameters

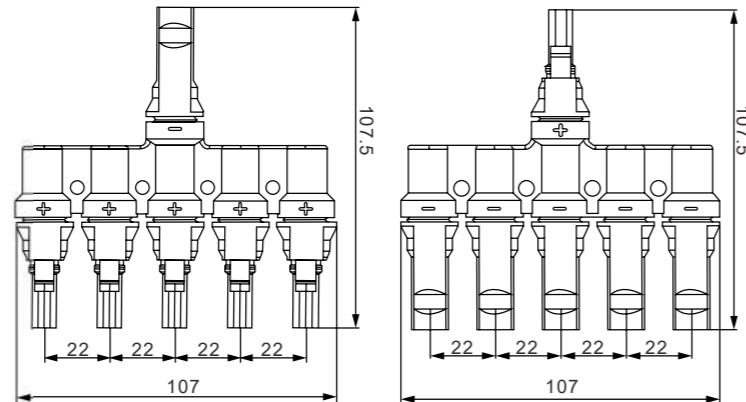
Insulation Material	PPO
Contact Material	Copper, Tin plated
Suitable Current	30A
Rated Voltage	1000V (TUV) 600V (UL)
Test Voltage	6KV (TUV50Hz, 1min)
Contact Resistance	<0.5mΩ
Degree Of Protection	IP 67
Temperature Range	-40°C ~ + 85°C
Flame Class	UL94-V0
Safety Class	II
Pin Dimensions	Φ4mm

Product Parameters

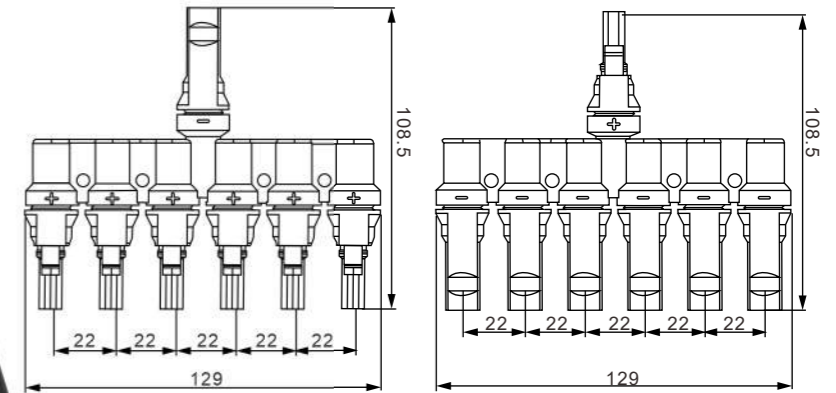
Insulation Material	PPO
Contact Material	Copper, Tin plated
Suitable Current	30A
Rated Voltage	1000V (TUV) 600V (UL)
Test Voltage	6KV (TUV50Hz, 1min)
Contact Resistance	<0.5mΩ
Degree Of Protection	IP 67
Temperature Range	-40°C ~ + 85°C
Flame Class	UL94-V0
Safety Class	II
Pin Dimensions	Φ4mm

Panel Branch Connector

PV-MDT5



PV-MDT6



Product Parameters

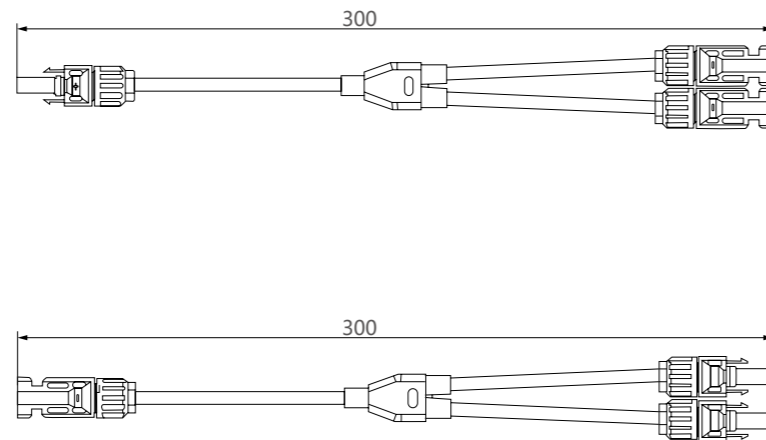
Insulation Material	PPO
Contact Material	Copper, Tin plated
Suitable Current	30A
Rated Voltage	1000V (TUV) 600V (UL)
Test Voltage	6KV (TUV50Hz, 1min)
Contact Resistance	<0.5mΩ
Degree Of Protection	IP 67
Temperature Range	-40°C ~ + 85°C
Flame Class	UL94-V0
Safety Class	II
Pin Dimensions	Φ4mm

Product Parameters

Insulation Material	PPO
Contact Material	Copper, Tin plated
Suitable Current	30A
Rated Voltage	1000V (TUV) 600V (UL)
Test Voltage	6KV (TUV50Hz, 1min)
Contact Resistance	<0.5mΩ
Degree Of Protection	IP 67
Temperature Range	-40°C ~ + 85°C
Flame Class	UL94-V0
Safety Class	II
Pin Dimensions	Φ4mm

Panel Branch Connector

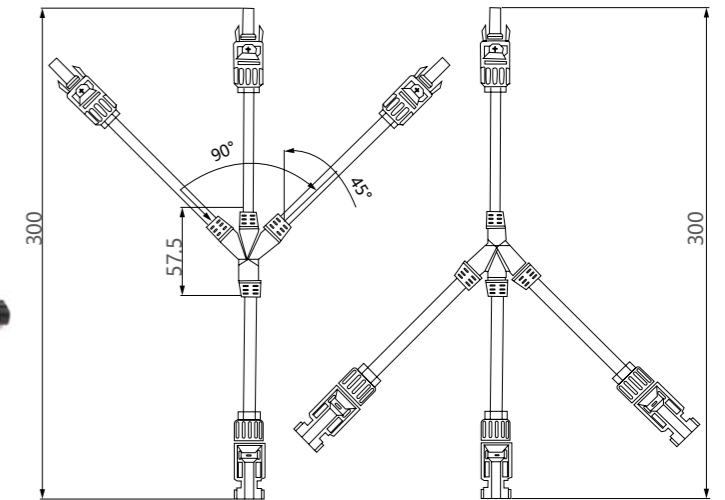
PV-MDY2



Product Parameters

Connector system	Φ4mm
Rated voltage	1000V DC(IEC) ¹
Rated current	30A
Test voltage	6kV(50Hz,1min.)
Temperature Range	-40°C...+90°C(IEC)-40°C...+75°C(UL)
Upper Temperature Limit	+105°C(IEC)
Degree of protection,mated	IP67
unmated	IP2X
Contact resistance of plug connectors	0.5mΩ
Safety class	II
Contact material	Messing,verzinkt Copper Alloy,tin plated
Insulation material	PC/PA
Locking system	Snap-in
Flams class	UL-94-V0
Salt mist spray test,degree of severity 5	IEC 60068-2-52

PV-MDY3

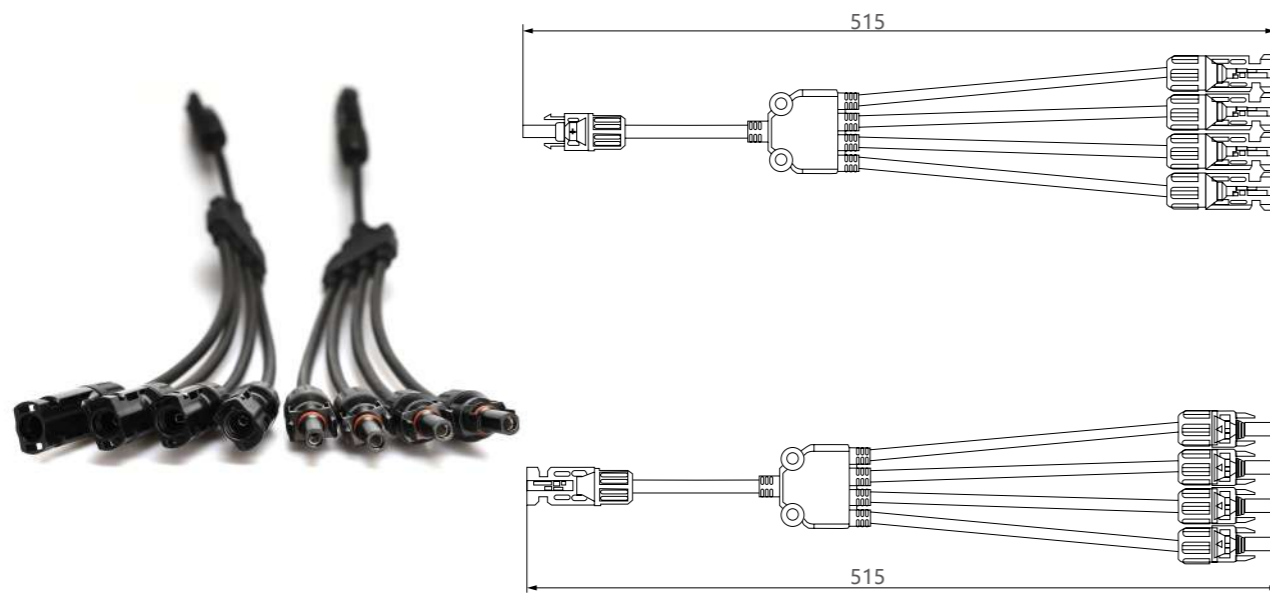


Product Parameters

Connector system	Φ4mm
Rated voltage	1000V DC(IEC) ¹
Rated current	30A
Test voltage	6kV(50Hz,1min.)
Temperature Range	-40°C...+90°C(IEC)-40°C...+75°C(UL)
Upper Temperature Limit	+105°C(IEC)
Degree of protection,mated	IP67
unmated	IP2X
Contact resistance of plug connectors	0.5mΩ
Safety class	II
Contact material	Messing,verzinkt Copper Alloy,tin plated
Insulation material	PC/PA
Locking system	Snap-in
Flams class	UL-94-V0
Salt mist spray test,degree of severity 5	IEC 60068-2-52

Panel Branch Connector

PV-MDY4



Product Parameters

Connector system	Φ4mm
Rated voltage	1000V DC(IEC) ¹
Rated current	30A
Test voltage	6kV(50Hz,1min.)
Temperature Range	-40°C...+90°C(IEC)-40°C...+75°C(UL)
Upper Temperature Limit	+105°C(IEC)
Degree of protection,mated	IP67
unmated	IP2X
Contact resistance of plug connectors	0.5mΩ
Safety class	II
Contact material	Messing,verzinkt Copper Alloy,tin plated
Insulation material	PC/PA
Locking system	Snap-in
Flams class	UL-94-V0
Salt mist spray test,degree of severity 5	IEC 60068-2-52

PV MDC Cable

2.5m² 14AWM,4m²,6m² 12AWM,10AWM



PV MDC Cable

2.5m²、4m²、6m²



2.5



m²

4m²



6m²



PV-MDT Photovoltaic Connector Kit



PV-MDT1

PV-MDT2



The inner core of the connector can be placed in a small bag on the side.

PV-MDS Tow-set spanners

MD-MC4(1500V)Specidized	MD-MC4(1000V)Specidized	MD-MC4(1000V)
		
PV-MDS1	PV-MDS2	PV-MDS3

PV-MDT3 Crimping Tool

PV-MDT4 Crimping Tool

► Main Specoality

Suitable for crimping the cable of 2.5~6.0mm²(AWG10-14);
Suitable for solar system installation site,flexible application



► Main Specoality

Suitable for crimping the cable of 2.5~6.0mm²(AWG10-14);
Suitable for solar system installation site,flexible application



PV-MDT5 Crimping Tool

PV-MDT6 Stripping Tool

► Main Specoality

Suitable for crimping the cable of 2.5~6.0mm²(AWG10-14);
Suitable for solar system installation site,flexible application



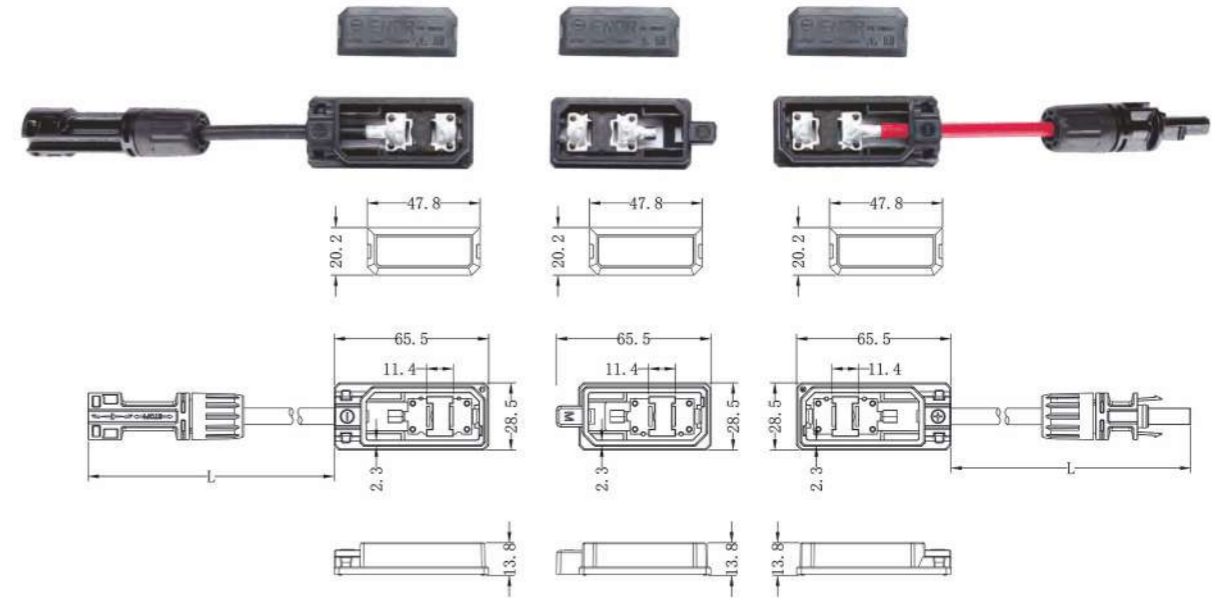
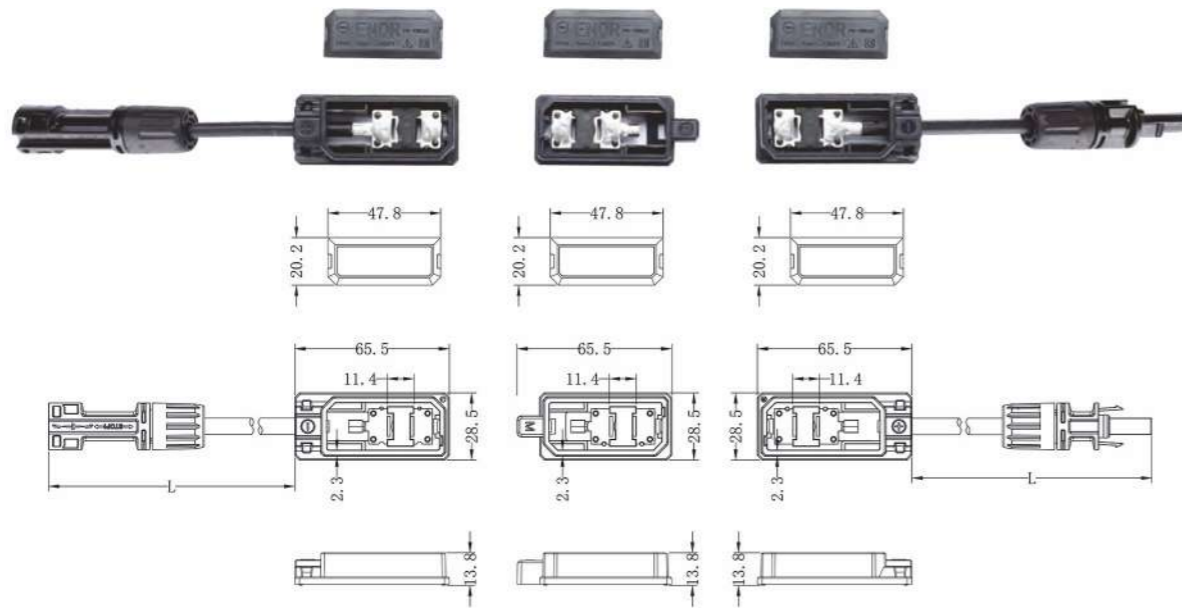
► Main Specoality

Suitable for crimping the cable of 2.5~6.0mm²(AWG10-14);
Suitable for solar system installation site,flexible application



Solar DC Panel Connector

PV-MD020



Product Parameters

Certifications	TUV
Certificate No.	NO.B116316
Rated Voltage	1500V DC
Using Temperature	-40°C to +85°C
Safety Level	Class II
Flame Resistance	UL94-5VA
Waterproof Structure	Glue Filling
Cable Specification	4mm ² / 6mm ²
Connection Method	Soldering
Insulation Material	PPO
IP Grade	IP65 /IP68
Wire Size Range	2*4mm ² /600mm
Volume of Glue Filling	7*3=21ml/ Total 7*3=21ml
Width of Ribbons	8mm/UP to 8mm
Contact Material	Brass copper or Tin-Plated
Overall Size	As shown
Optional Connector	EN001

Product Configuration List

Model No.	Rated Current	Terminal Spacing	Diode Layout	Diode Type	Diode Qty	Certifications
PV-MD020	20A	10mm		GF3045	3	TUV
PV-MD020	25A	10mm		GF4045	3	TUV

Product Parameters

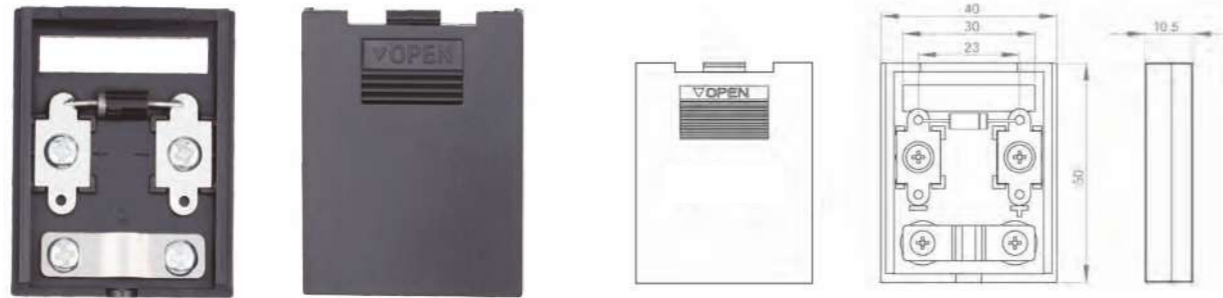
Certifications	TUV
Certificate No.	NO.B116316
Rated Voltage	1500V DC
Using Temperature	-40°C to +85°C
Safety Level	Class II
Flame Resistance	UL94-5VA
Waterproof Structure	Glue Filling
Cable Specification	4mm ² / 6mm ²
Connection Method	Soldering
Insulation Material	PPO
IP Grade	IP65 /IP68
Wire Size Range	2*4mm ² /600mm
Volume of Glue Filling	7*3=21ml/ Total 7*3=21ml
Width of Ribbons	8mm/UP to 8mm
Contact Material	Brass copper or Tin-Plated
Overall Size	As shown
Optional Connector	EN001

Product Configuration List

Model No.	Rated Current	Terminal Spacing	Diode Layout	Diode Type	Diode Qty	Certifications
PV-MD020	20A	10mm		GF3045	3	TUV
PV-MD020	25A	10mm		GF4045	3	TUV

Solar DC Panel Connector

PV-MD001



Product Parameters

Overall Dimension	40mm* 50mm*10.5mm
Distance between the terminals	23.0mm
Protection Degree	IP54
Contact Material	Copper, Tin plated
Temperature Range	-40°Cto +85°C
Wire Size Range	1mm ²

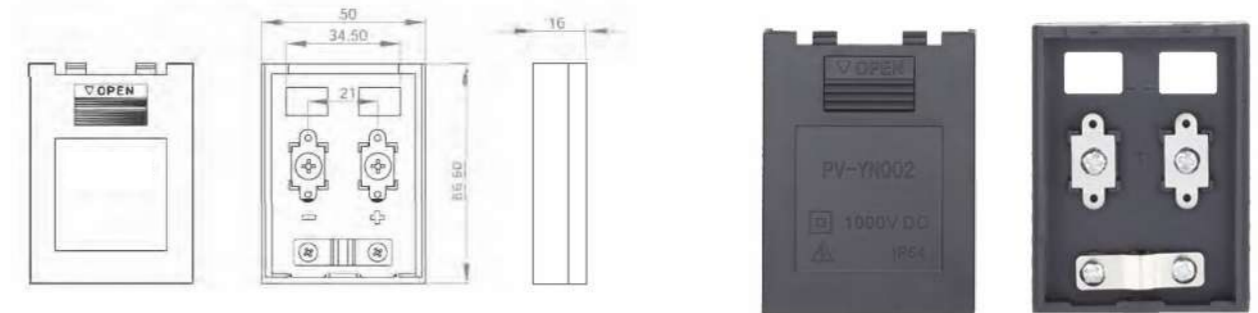
(1) Strong aging resistance of shell. (2) Super strong UV resistance.

Meet the requirements of harsh usage environment.

Customization can be made according to customers' requirements, such as the number of diodes, cable length, connector model, etc.



PV-MD002



Product Parameters

Overall Dimension	50mm* 66.5mm*16mm
Distance between the terminals	21.0mm
Protection Degree	IP54
Contact Material	Copper, Tin plated
Temperature Range	-40°C to +85°C
Wire Size Range	1mm ²

(1) Strong aging resistance of shell. (2) Super strong UV resistance.

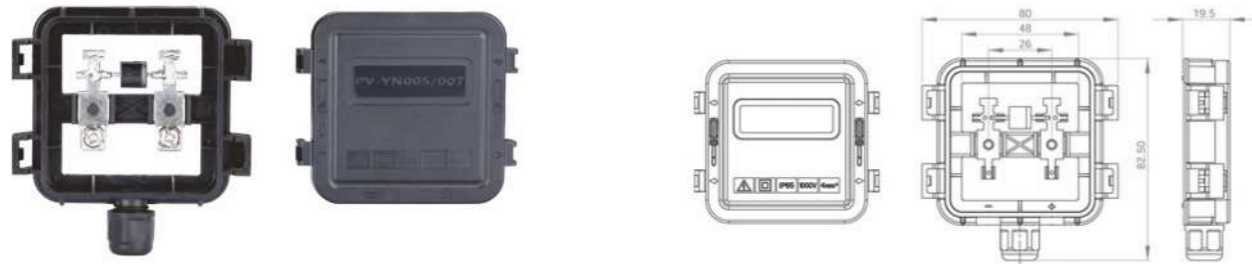
Meet the requirements of harsh usage environment.

Customization can be made according to customers' requirements, such as the number of diodes, cable length, connector model, etc.



Solar DC Panel Connector

PV-MD005



Product Parameters

Overall Dimension	80mm* 82.5mm* 19.5mm
Distance between the terminals	26.0mm
Rated Voltage	1000V DC
Safety Class	Class II
Protection Degree	IP65
Flame Resistance	5VA
Waterproof Structure	Seal Ring
Insulation Material	PPO Black
Contact Material	Copper, Tin plated
Temperature Range	-40°Cto +85°C
Wire Size Range	4mm ² /12AWG
Optional Connector	MC4

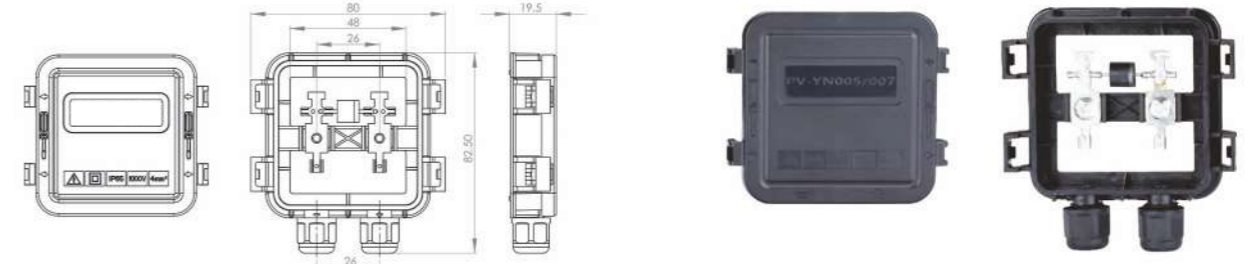
(1) Strong aging resistance of shell. (2) Super strong UV resistance.

Meet the requirements of harsh usage environment.

Customization can be made according to customers' requirements, such as the number of diodes, cable length, connector model, etc.



PV-MD007



Product Parameters

Overall Dimension	80mm* 82.5mm* 19.5mm
Distance between the terminals	26.0mm
Rated Voltage	1000V DC
Safety Class	Class II
Protection Degree	IP65
Flame Resistance	5VA
Waterproof Structure	Seal Ring
Insulation Material	PPO Black
Contact Material	Copper, Tin plated
Temperature Range	-40°Cto +85°C
Wire Size Range	4mm ² /12AWG
Optional Connector	MC4

(1) Strong aging resistance of shell. (2) Super strong UV resistance.

Meet the requirements of harsh usage environment.

Customization can be made according to customers' requirements, such as the number of diodes, cable length, connector model, etc.



Solar DC Panel Connector

PV-MD008



Product Parameters

Overall Dimension	100mm× 87mm× 19.5mm
Distance between the terminals	21.0mm
Rated Voltage	1000V DC
Safety Class	Class II
Protection Degree	IP65
Flame Resistance	5VA
Waterproof Structure	Seal Ring
Insulation Material	PPO Black
Contact Material	Copper, Tin plated
Temperature Range	-40°Cto +85°C .
Wire Size Range	4mm ² /12AWG
Optional Connector	MC4

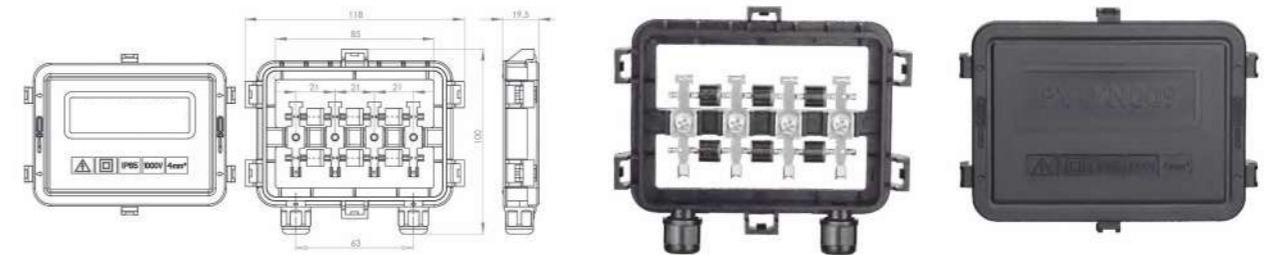
(1) Strong aging resistance of shell. (2) Super strong UV resistance.

Meet the requirements of harsh usage environment.

Customization can be made according to customers' requirements, such as the number of diodes, cable length, connector model, etc.



PV-MD009



Product Parameters

Overall Dimension	118mm×100mm×19.5mm
Distance between the terminals	21.0mm
Rated Voltage	1000V DC
Safety Class	Class II
Protection Degree	IP65
Flame Resistance	5VA
Waterproof Structure	Seal Ring
Insulation Material	PPO Black
Contact Material	Copper, Tin plated
Temperature Range	-40°C to +85°C
Wire Size Range	4mm ² /12AWG
Optional Connector	MC4

(1) Strong aging resistance of shell. (2) Super strong UV resistance.

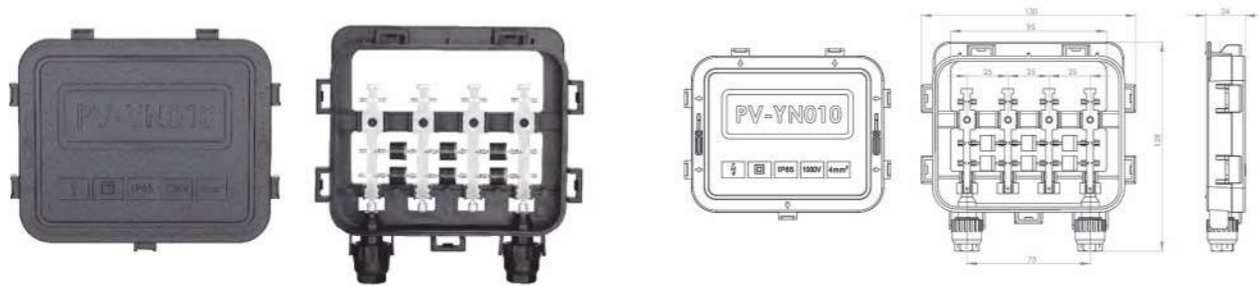
Meet the requirements of harsh usage environment.

Customization can be made according to customers' requirements, such as the number of diodes, cable length, connector model, etc.



Solar DC Panel Connector

PV-MD010



Product Parameters

Overall Dimension	130mm*128mm* 24mm
Distance between the terminals.	25.0mm
Rated Voltage	1000V DC
Safety Class	Class II
Protection Degree	IP65
Flame Resistance	5VA
Waterproof Structure	Seal Ring
Width of Copper Ribbons	Max 6mm
Insulation Material	PPO Black
Contact Material	Copper, Tin plated
Temperature Range	-40°C to +85°C
Wire Size Range	4mm ² /1 2AWG
Optional Connector	MC4

(1) Strong aging resistance of shell. (2) Super strong UV resistance.

Meet the requirements of harsh usage environment.

Customization can be made according to customers' requirements, such as the number of diodes, cable length, connector model, etc.



PV-MD012



Product Parameters

Overall Dimension	151.80mm* 143mm*25mm
Distance between the terminals.	27.0mm
Rated Voltage	1000V DC
Safety Class	Class II
Protection Degree	IP65
Flame Resistance	5VA
Waterproof Structure	Seal Ring
Width of Copper Ribbons	Max 6mm
Insulation Material	PPO Black
Contact Material	Copper, Tin plated
Temperature Range	-40°C to +85°C
Wire Size Range	4mm ² /1 2AWG
Optional Connector	MC4

(1) Strong aging resistance of shell. (2) Super strong UV resistance.

Meet the requirements of harsh usage environment.

Customization can be made according to customers' requirements, such as the number of diodes, cable length, connector model, etc.



Solar DC Panel Connector

PV-A4S



Product Parameters

Overall Dimension	136mm*123mm*18.5mm
Rated Current for PV Module	13A
Distance between the terminals	25.0mm
Rated Voltage	1000 V/1500V DC (TUV), 1000V DC (UL)
Contact Resistance	≤5 mΩ
Safety Class	Class II
Protection Degree	IP67
Flame Resistance	UL94-V0/5VA
Waterproof Structure	Seal Ring
Width of Copper Ribbons	Max 6mm
Insulation Material	PPO Black
Contact Material	Copper, Tin plated
Temperature Range	-40°C to +90°C
Wire Size Range	AWG 12 & 4mm ²
Optional Connector	MC4
Certification	TUV&UL
Standard	EN50548/1EC62790/ UL3730

(1) Strong aging resistance of shell. (2) Super strong UV resistance.

Meet the requirements of harsh usage environment.

Customization can be made according to customers' requirements, such as the number of diodes, cable length, connector model, etc..