



MOREDAY



MORE THEN SOLAR

MINDIAN ELECTRIC CO., LTD.

Add: Malujiao Industrial Zone, North Baixiang town, Yueqing, Zhejiang, China.

Sales call: 0577-62860666 0577-62860667

Http: www.moredaysolar.com

E-mail: info@moredaysolar.com

MDYB220222

WWW.MOREDAYSOLAR.COM

MOREDAY

General Contents

总目录

MOREDAY

配电箱 Distribution Box



MDJB
系列
A-B



MDPN
系列
C-D



CHA-BG 系列P13-14

防水接线盒 Waterproof Junction Box



CHA-RA 系列P01-02



CHA-RT 系列P03-04



CHA-AG 系列P05-06



CHA-DG 系列P07-08

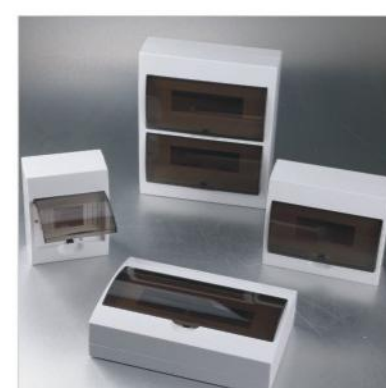


CHA-KG 系列P09-10



CHA-MG 系列P11-12

配电箱 Distribution Box



CHA-MS 系列P15-16



CHA-MF 系列P17-18



CHA-HT 系列P19-20



CHA-S 系列P21-22

MOREDAY

MDJB 系列

防水接线盒 | Waterproof Junction Box

CE、IP65



MDJB 系列

明装配电箱 | Surface distribution box

MOREDAY

壳体材料: PC+ABS

材料特性: 抗冲击性、耐热性、耐低温性、耐化学药品性及电气性能优良、表面光泽性好等特点

认证: CE

防护等级: IP65

用途: 适用于室内、室外电气、通信、消防设备、钢铁冶炼、石油化工、电子、电力、铁路、建筑工地、采矿场、机场、宾馆、船舶、大型工厂、沿海工厂、卸货码头设备、污水处理设施、环境公害设施等。

安装方式: 1. 内部安装: 盒子内部有供导轨式断路器安装的导轨。

2. 外部安装: 可通过盒体底部的安装孔直接固定于墙面 (可通过盒子的四个角, 直接用螺丝或钉子固定在墙上或板上。)

进出线孔: 箱体设有可供穿线的预留孔。

Shell material: PC+ABS

Material properties: impact resistance, heat resistance, low temperature resistance, chemical resistance and electrical properties Excellent performance, good surface gloss, etc.

Certification: CE

Protection class: IP65

Uses: Suitable for indoor and outdoor electrical, communication, fire-fighting equipment, steel smelting, Petrochemical, electronics, electric power, railways, construction sites, mining sites, machines Fields, hotels, ships, large factories, coastal factories, unloading terminal equipment, Sewage and wastewater treatment facilities, environmental pollution facilities, etc.

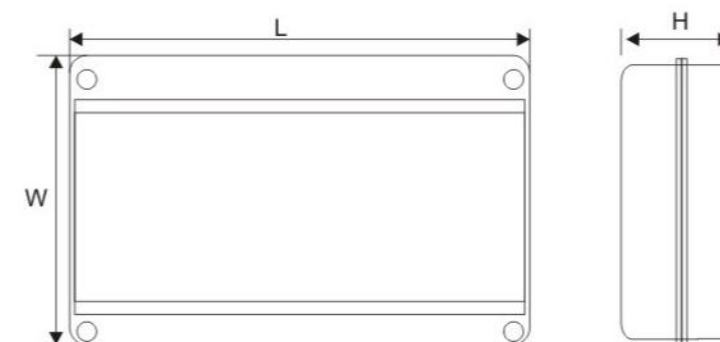
Installation method:

1. Internal installation: There are guide rails inside the box for the installation of guide rail circuit breakers.

2. External installation: it can be directly fixed on the wall through the installation hole at the bottom of the box (It can be directly fixed on the wall with screws or nails through the four corners of the box or board.)

Inlet and outlet holes: The box body has reserved holes for threading.

型号 Model Code	外形尺寸 Outside Dimension (mm)			毛重(KG) G. Weight	净重(KG) N. Weight	装箱数(只) Qty/Carton	外箱尺寸(cm) Carton Dimension
	L	W	H				
MDJB 8 way	245	235	125	10.5	11.55	10	69.5*28*54
MDJB 12 way	315	235	125	11.2	12.25	8	55*35.3*51.2
MDJB 18 way	425	235	125	14.8	16	8	55*45.8*51.2
MDJB 24 way	315	405	125	9	9.9	4	43.5*34.5*55.5



MDJB 系列



壳体材料: PC

材料特性: 抗冲击性、耐热性、耐低温性、耐化学药品性及电气性能优良、表面光泽性好等特点

认证: CE

防护等级: IP65

用途: 适用于室内、室外电气、通信、消防设备、钢铁冶炼, 石油化工, 电子、电力, 铁路, 建筑工地, 采矿场, 机场, 宾馆, 船舶、大型工厂、沿海工厂、卸货码头设备、污水处理设施、环境公害设施等。

安装方式: 1. 内部安装: 盒子内部有供导轨式断路器安装的导轨。

2. 外部安装: 可通过盒体底部的安装孔直接固定于墙面 (可通过盒子的四个角, 直接用螺丝或钉子固定在墙上或板上。)

进出线孔: 箱体设有可供穿线的预留孔。

Shell material: PC

Material properties: impact resistance, heat resistance, low temperature resistance, chemical resistance and electrical properties Excellent performance, good surface gloss, etc.

Certification: CE

Protection class: IP65

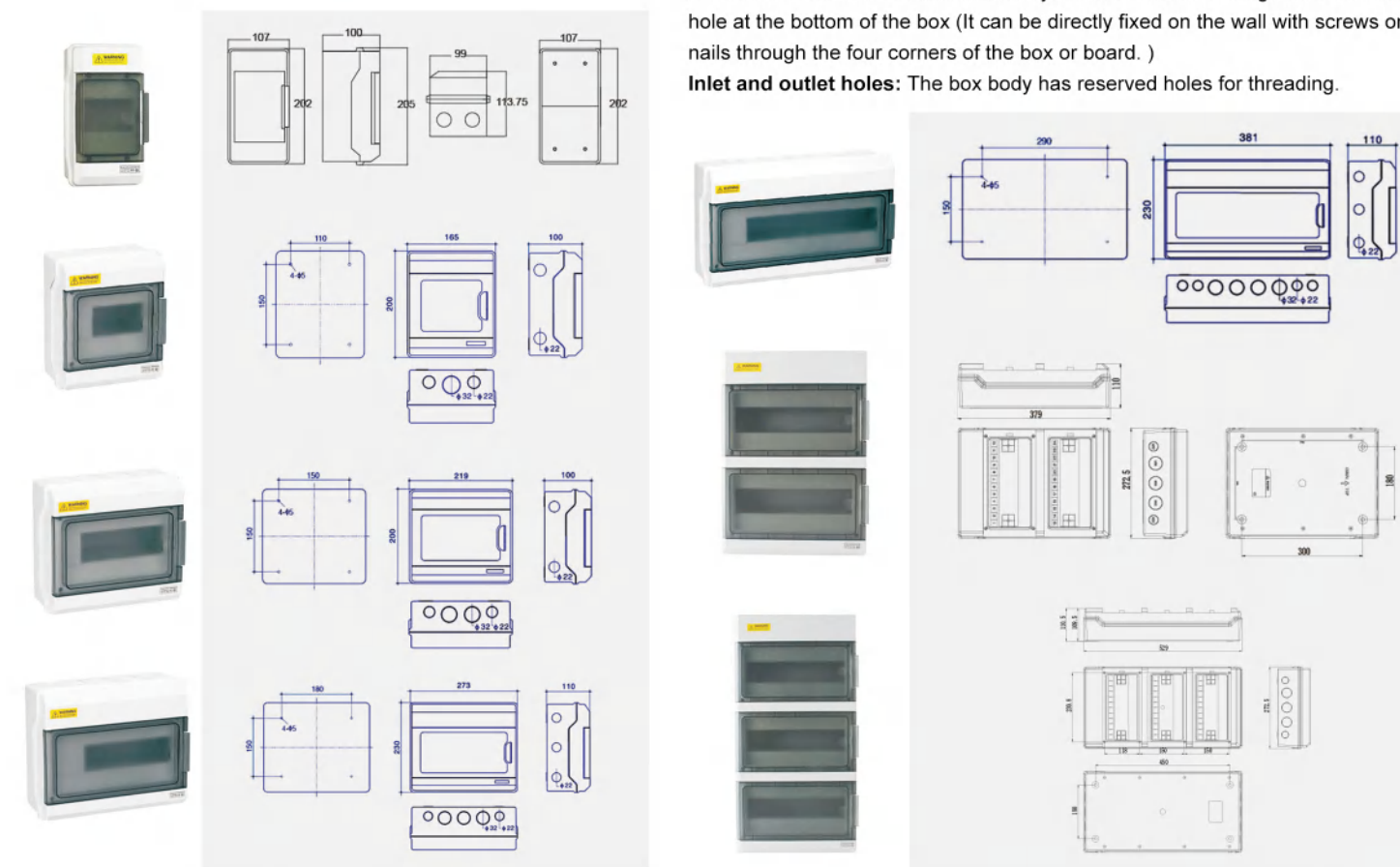
Uses: Suitable for indoor and outdoor electrical, communication, fire-fighting equipment, steel smelting, Petrochemical, electronics, electric power, railways, construction sites, mining sites, machines Fields, hotels, ships, large factories, coastal factories, unloading terminal equipment, Sewage and wastewater treatment facilities, environmental pollution facilities, etc.

Installation method:

1. Internal installation: There are guide rails inside the box for the installation of guide rail circuit breakers.

2. External installation: it can be directly fixed on the wall through the installation hole at the bottom of the box (It can be directly fixed on the wall with screws or nails through the four corners of the box or board.)

Inlet and outlet holes: The box body has reserved holes for threading.



型号 Model Code	外形尺寸 Outside Dimension (mm)			毛重(KG) G. Weight	净重(KG) N. Weight	装箱数(只) Qty/Carton	外箱尺寸(cm) Carton Dimension
	L	W	H				
MDPN 4 way	107	210	92	13.86	14	30	56*36*44
MDPN 6 way	165	200	100	11.24	11.6	20	54*36*43
MDPN 9 Way	220	200	110	14.72	15.63	20	54*42.5*46.5
MDPN 12 Way	270	230	110	16	17	20	59.5*48.5*57.5
MDPN 18 Way	375	230	110	18	19	10	59.5*48.5*40.5
MDPN 24 Way	270	375	110	20	21	10	59.5*40*57
MDPN 36 way	270	530	110	10	12	5	63*28.5*55



壳体材料: ABS

孔塞材料: PVC

材料特性: 抗冲击性、耐热性、耐低温性、耐化学药品性及电气性能优良、表面光泽性好等特点。

认证: CE、ROHS

用途: 适用于室内、室外电气、通信、消防设备、钢铁冶炼, 石油化工, 电子、电力, 铁路, 建筑工地, 采矿场, 机场, 宾馆, 船舶、大型工厂、沿海工厂、卸货码头设备、污废水处理设施、环境公害设施等。

安装方式: 1.内部安装: 盒子内部有供线路板或DIN轨道元件安装的凸台;
2.外部安装: 可通过盒体底部的安装孔直接固定于墙面(可通过盒子的四个角, 直接用螺丝或钉子固定在墙上或板上。)

进出线孔: 防水盒可以根据电线大小在现有孔塞上选择使用, 或配套防水夹紧接头, 达到防水最佳效果。

Body material: ABS

Stopper material: PVC

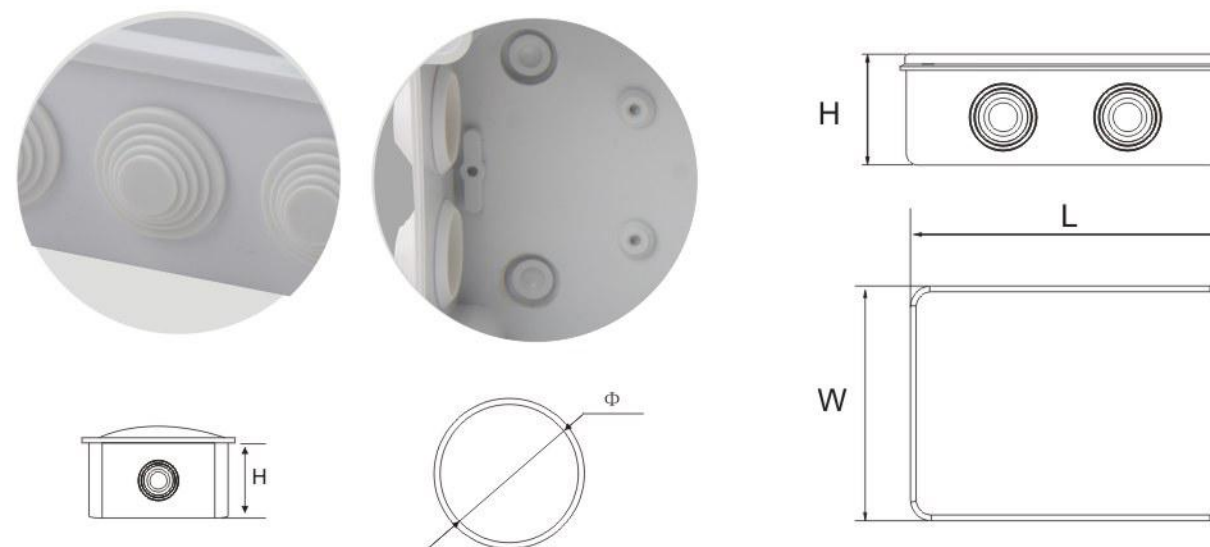
Material characteristics: Impact, heat, low temperature and chemical resistance, excellent electrical performance and surface gloss, etc.

Certificates: CE, ROHS

Application: Suitable for indoor and outdoor electric, communication, fire fighting apparatus, iron and steel smelting, petrochemical industry, electron, power system, railway, building, mine, air and sea port, hotel, ship, works, waste water treatment equipment, environmental equipment and so on.

Installation: 1,Inside: There are the installation holes in the base for circuit board or din rail.
2,Outside: The products can be directly fixed on the wall or other flat boards with screws or nails via the screw holes in the base.

Outlet hole: Cutting a hole in the PVC stopper as related cable size or installing cable gland to get better waterproof performance.



型号 Model Code	外形尺寸 Outside Dimension (mm)			孔数 Hole Qty	孔径(mm) Hole Size	毛重(KG) G. Weight	净重(KG) N. Weight	装箱数(只) Qty/Carton	外箱尺寸(cm) Carton Dimension	IP
	L	W	H							
CHA-RA 50 × 50		50	50	4	25	14	12.9	300	45.5 × 38 × 51	55
CHA-RA 80 × 50		80	50	4	25	14.7	13.4	240	53 × 35 × 65	55
CHA-RA 85 × 85 × 50	85	85	50	7	25	18	16.6	200	52 × 41 × 52.5	55
CHA-RA 100 × 100 × 70	100	100	70	7	25	16.3	14.7	100	61 × 49 × 34.5	65
CHA-RA 150 × 110 × 70	150	110	70	10	25	15.7	14.2	60	66.5 × 34.5 × 46	65
CHA-RA 150 × 150 × 70	150	150	70	8	25	16.1	14.3	60	84.5 × 34 × 45	65
CHA-RA 200 × 100 × 70	200	100	70	8	25	16.6	15.3	60	61 × 46 × 42	65
CHA-RA 200 × 155 × 80	200	155	80	10	36	15.5	13.9	40	69.5 × 43.5 × 41	65
CHA-RA 200 × 200 × 80	200	200	80	12	36	19.9	17.9	40	45.5 × 45.5 × 79	65
CHA-RA 255 × 200 × 80	255	200	80	12	36	22.8	21	40	55 × 44 × 79.2	65
CHA-RA 255 × 200 × 120	255	200	120	12	36	21.9	20.1	30	64 × 55 × 62	65
CHA-RA 300 × 250 × 120	300	250	120	12	36	22.4	19.9	20	64 × 55 × 61.5	65
CHA-RA 400 × 350 × 120	400	350	120	16	36	14.8	13.3	10	74.5 × 42.5 × 61.5	65



壳体材料: ABS

材料特性: 抗冲击性、耐热性、耐低温性、耐化学药品性及电气性能优良、表面光泽性好等特点。

认证: CE、ROHS

用途: 适用于室内、室外电气、通信、消防设备、钢铁冶炼, 石油化工, 电子、电力, 铁路, 建筑工地, 采矿场, 机场, 宾馆, 船舶、大型工厂、沿海工厂、卸货码头设备、污水处理设施、环境公害设施等。

安装方式: 1.内部安装: 盒子内部有供线路板或DIN轨道元件安装的凸台;
2.外部安装: 可通过盒体底部的安装孔直接固定于墙面 (可通过盒子的四个角, 直接用螺丝或钉子固定在墙上或板上。)

进出线孔: 防水盒上已经有孔印, 客户可以按自己要求敲落随意一个孔及全部, 配套防水夹紧接头, 达到防水最佳效果。

Body material: ABS

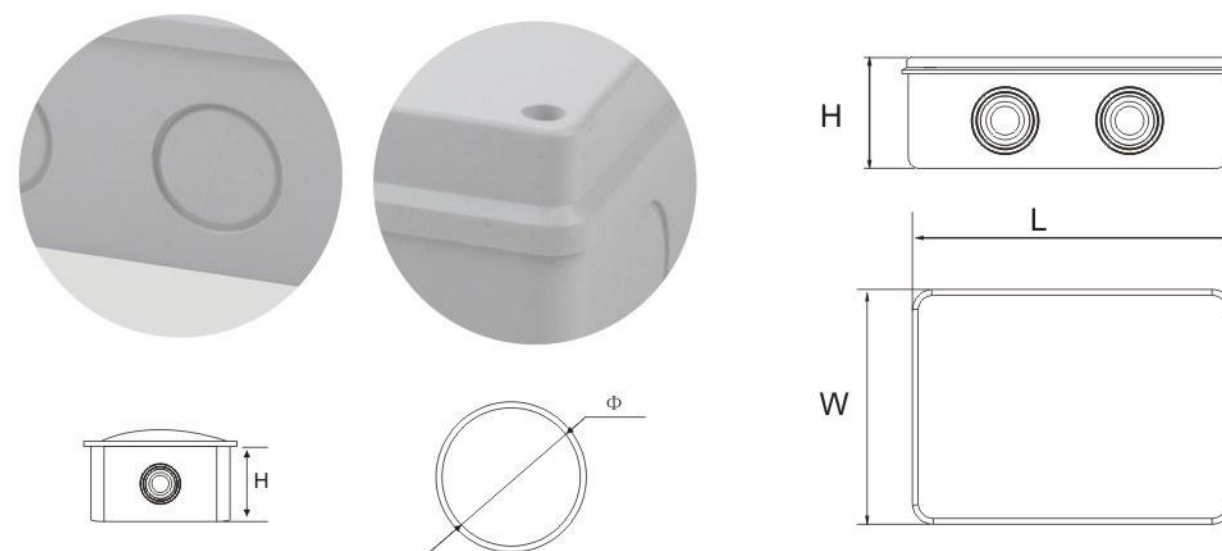
Material characteristics: Impact, heat, low temperature and chemical resistance, excellent electrical performance and surface gloss, etc.

Certificates: CE, ROHS

Application: Suitable for indoor and outdoor electric, communication, fire fighting apparatus, iron and steel smelting, petrochemical industry, electron, power system, railway, building, mine, air and sea port, hotel, ship, works, waste water treatment equipment, environmental equipment and so on.

Installation: 1, Inside: There are the installation holes in the base for circuit board or din rail.
2, Outside: The products can be directly fixed on the wall or other flat boards with screws or nails via the screw holes in the base.

Outlet hole: The plastic plate in the hole can be knocked off and installing cable gland to get better waterproof performance.



型号 Model Code	外形尺寸 Outside Dimension (mm)			孔数 Hole Qty	孔径(mm) Hole Size	毛重(KG) G. Weight	净重(KG) N. Weight	装箱数(只) Qty/Carton	外箱尺寸(cm) Carton Dimension	IP
	L	W	H							
CHA-RT 50 × 50		50	50	4	25	12.9	11.7	300	45.5 × 37.5 × 51	55
CHA-RT 80 × 50		80	50	4	25	13.1	11.8	240	53 × 35 × 62	55
CHA-RT 85 × 85 × 50	85	85	50	7	25	15.6	14.4	200	45 × 37 × 53	55
CHA-RT 100 × 100 × 70	100	100	70	7	25	14	12.5	100	57 × 46 × 35	65
CHA-RT 150 × 110 × 70	150	110	70	10	25	13.6	12.3	60	62 × 31.5 × 46.5	65
CHA-RT 150 × 150 × 70	150	150	70	8	25	14.4	12.9	60	79.5 × 31.5 × 46	65
CHA-RT 200 × 100 × 70	200	100	70	8	25	15.4	13.8	60	57 × 43 × 42	65
CHA-RT 200 × 155 × 80	200	155	80	10	36	13.6	11.9	40	64.5 × 40.5 × 41	65
CHA-RT 200 × 200 × 80	200	200	80	12	36	16	14.4	40	85 × 43 × 40.5	65
CHA-RT 255 × 200 × 80	255	200	80	12	36	20	18	40	51.8 × 41.2 × 79.2	65
CHA-RT 255 × 200 × 120	255	200	120	12	36	19.8	18	30	62 × 53 × 62	65
CHA-RT 300 × 250 × 120	300	250	120	12	36	19.7	17.8	20	61 × 52 × 61.5	65
CHA-RT 400 × 350 × 120	400	350	120	16	36	14.8	13.1	10	72 × 41 × 61.5	65



壳体材料: ABS或PC
 材料特性: 抗冲击性、耐热性、耐低温性、耐化学药品性及电气性能优良、表面光泽性好等特点

认证: CE、ROHS

防护等级: IP65

用途: 适用于室内、室外电气、通信、消防设备、钢铁冶炼, 石油化工, 电子、电力, 铁路, 建筑工地, 采矿场, 机场, 宾馆, 船舶、大型工厂、沿海工厂、卸货码头设备、污水处理设施、环境公害设施等。

安装方式: 1. 内部安装: 盒子内部有供线路板或DIN轨道元件安装的凸台, 及自带的铜接线螺母 (每只防水盒内部都配有最少二个以上的很常规的M4的铜螺母)
 2. 外部安装: 可通过盒体底部的安装孔直接固定于墙面 (可通过盒子的四个角, 直接用螺丝或钉子固定在墙上或板子上。)

进出线孔: 防水盒可以随意根据客户的使用要求在上面开孔, (开孔位置及开孔大小都可以按照客户指定要求加工。) 开孔后可以装有配套的防水夹紧接头, 达到防水最佳效果。

Body material: ABS or PC

Material characteristics: Impact, heat, low temperature and chemical resistance, excellent electrical performance and surface gloss, etc.

Certificates: CE, ROHS

Protection grade: IP65

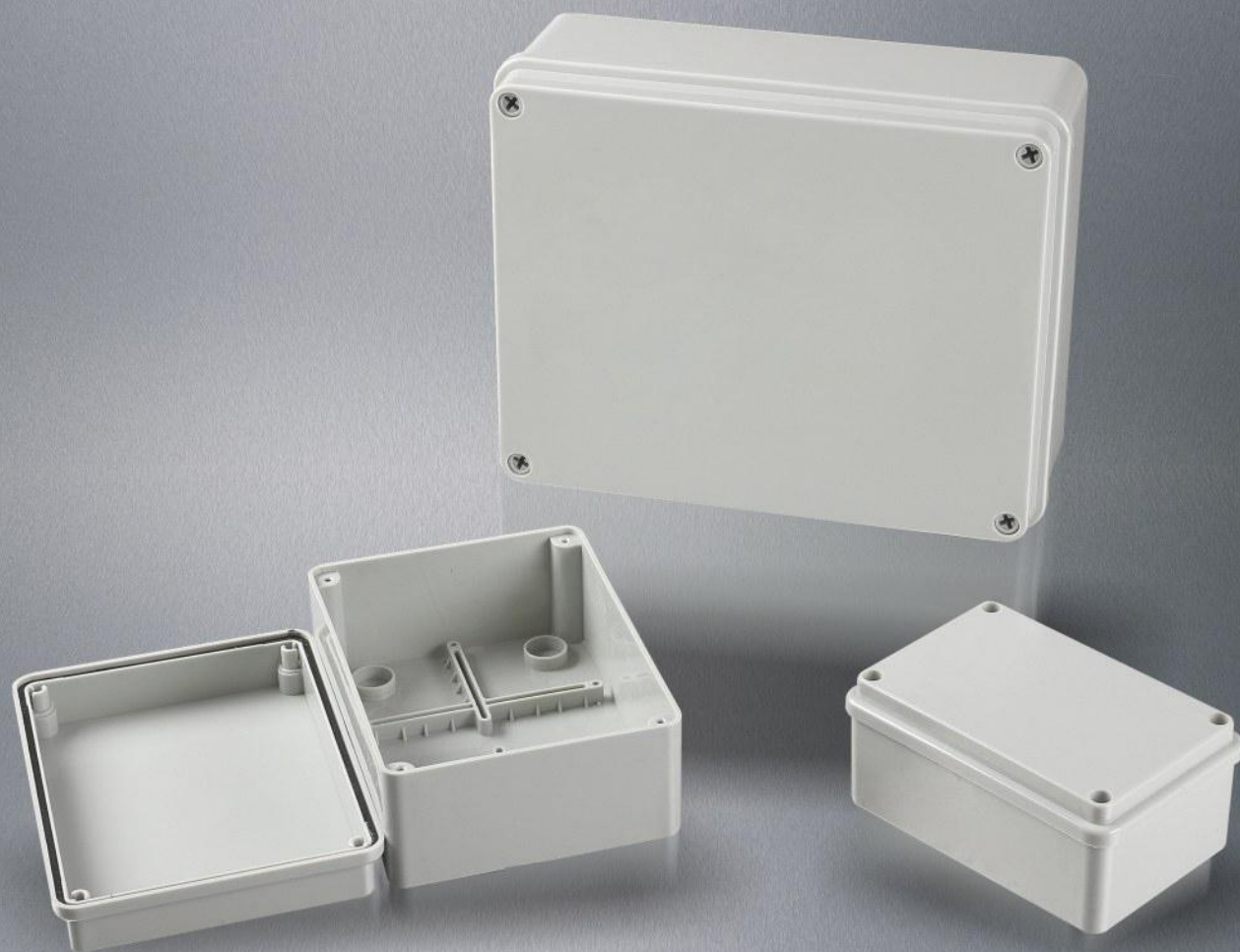
Application: Suitable for indoor and outdoor electric, communication, fire fighting apparatus, iron and steel smelting, petrochemical industry, electron, power system, railway, building, mine, air and sea port, hotel, ship, works, waste water treatment equipment, environmental equipment and so on.

Installation: 1, Inside: There are the installation holes in the base for circuit board or din rail (More than 2 pcs of M4 brass nuts have been in each box).
 2, Outside: The products can be directly fixed on the wall or other flat boards with screws or nails via the screw holes in the base.

Outlet hole: Holes can be opened on the box as customers' requirements, and installing cable gland can bring with better waterproof performance.



型号 Model Code (L x W x H)	毛/净重(KG) G.W./N.W.	装箱数(只) Qty/Carton	外箱尺寸(cm) Carton Dimension	型号 Model Code (L x W x H)	毛/净重(KG) G.W./N.W.	装箱数(只) Qty/Carton	外箱尺寸(cm) Carton Dimension
CHA-AG 65 x 50 x 55	21.5/20.0	300	51.5 x 40 x 31	CHA-AG 200 x 150 x 130	16.6/ 15.1	30	67.5 x 41 x 47
CHA-AG 95 x 65 x 55	25.1/23.6	240	49.5 x 40.5 x 46.5	CHA-AG 200 x 200 x 95	18.5/17.0	30	62 x 41 x 51
CHA-AG 100 x 100 x 75	20.4/18.9	100	52 x 41.5 x 40.5	CHA-AG 200 x 200 x 130	14.6/13.1	20	67.5 x 41 x 42
CHA-AG 110 x 80 x 45	24.3/22.8	200	56.5 x 41.5 x 38.5	CHA-AG 250 x 80 x 70	15.7/14.2	50	52 x 41 x 36
CHA-AG 110 x 80 x 70	17/15.5	100	47 x 41 x 38	CHA-AG 250 x 80 x 85	18.8/17.3	50	52 x 41 x 45.5
CHA-AG 110 x 80 x 85	19.7/18.2	100	57 x 33.5 x 45	CHA-AG 250 x 150 x 100	11.5/10.0	20	51.5 x 31 x 53
CHA-AG 125 x 125 x 75	16.6/15.1	60	52 x 39.5 x 39.5	CHA-AG 250 x 150 x 130	17.1/15.6	30	67.5 x 46.5 x 52
CHA-AG 125 x 125 x 100	19.4/17.9	60	52 x 39.5 x 52	CHA-AG 280 x 190 x 130	19.7/18.2	20	68 x 39.5 x 57.5
CHA-AG 130 x 80 x 70	21.4/19.9	120	54 x 41.5 x 45	CHA-AG 280 x 190 x 180	14.5/13.0	12	57.5 x 39.5 x 56.5
CHA-AG 130 x 80 x 85	21.5/20	100	54 x 41.5 x 45	CHA-AG 280 x 280 x 130	13.4/11.9	10	68 x 29 x 57.5
CHA-AG 160 x 80 x 55	22.2/20.7	120	59.5 x 34 x 43	CHA-AG 280 x 280 x 180	6.9/5.4	4	57.5 x 29 x 37.5
CHA-AG 160 x 80 x 95	15.4/13.9	60	51.5 x 33.5 x 50.5	CHA-AG 340 x 280 x 130	14.9/13.4	10	67 x 35 x 57
CHA-AG 170 x 140 x 95	21.1/19.6	60	57.5 x 52 x 49.5	CHA-AG 340 x 280 x 180	7.9/6.4	4	57.5 x 35 x 37.5
CHA-AG 175 x 125 x 75	17.0/15.5	50	54 x 52.5 x 32	CHA-AG 380 x 190 x 130	15.6/14.1	12	59 x 39 x 55
CHA-AG 175 x 125 x 100	11.9/10.4	30	52.5 x 36 x 39.5	CHA-AG 380 x 190 x 180	18/16.5	9	59 x 39 x 56.5
CHA-AG 175 x 175 x 100	14.4/12.9	30	54.5 x 37 x 53.5	CHA-AG 380 x 280 x 130	9.8/8.3	6	57.5 x 39 x 41.5
CHA-AG 180 x 80 x 70	20.4/18.9	90	56 x 41 x 46	CHA-AG 380 x 280 x 180	8.0/6.5	4	57.5 x 39 x 37.5
CHA-AG 200 x 150 x 100	19.5/18	20	54 x 31 x 42				



壳体材料: ABS或PC
 材料特性: 抗冲击性、耐热性、耐低温性、耐化学药品性及电气性能优良、表面光泽性好等特点

认证: CE、ROHS

防护等级: IP65

用途: 适用于室内、室外电气、通信、消防设备、钢铁冶炼, 石油化工, 电子、电力, 铁路, 建筑工地, 采矿场, 机场, 宾馆, 船舶、大型工厂、沿海工厂、卸货码头设备、污水处理设施、环境公害设施等。

安装方式: 1. 内部安装: 盒子内部有供线路板或DIN轨道元件安装的凸台, 及自带的铜接线螺母 (每只防水盒内部都配有最少二个以上的很常规的M4的铜螺母)
 2. 外部安装: 可通过盒体底部的安装孔直接固定于墙面 (可通过盒子的四个角, 直接用螺丝或钉子固定在墙上或板子上。)

进出线孔: 防水盒可以随意根据客户的使用要求在上面开孔, (开孔位置及开孔大小都可以按照客户指定要求加工。) 开孔后可以装有配套的防水夹紧接头, 达到防水最佳效果。

Body material: ABS or PC

Material characteristics: Impact, heat, low temperature and chemical resistance, excellent electrical performance and surface gloss, etc.

Certificates: CE, ROHS

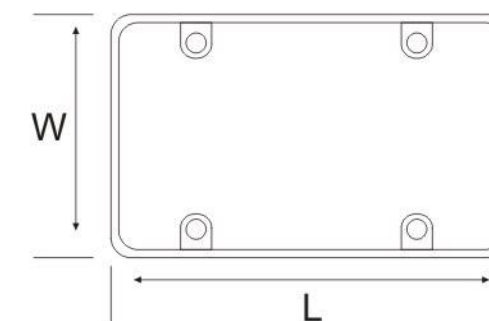
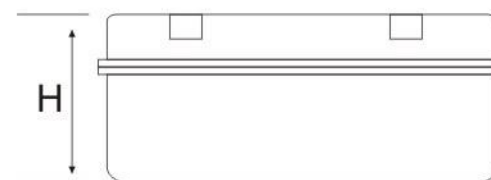
Protection grade: IP65

Application: Suitable for indoor and outdoor electric, communication, fire fighting apparatus, iron and steel smelting, petrochemical industry, electron, power system, railway, building, mine, air and sea port, hotel, ship, works, waste water treatment equipment, environmental equipment and so on.

Installation: 1, Inside: There are the installation holes in the base for circuit board or din rail (More than 2 pcs of M4 brass nuts have been in each box).

2, Outside: The products can be directly fixed on the wall or other flat boards with screws or nails via the screw holes in the base.

Outlet hole: Holes can be opened on the box as customers' requirements, and installing cable gland can bring with better waterproof performance.



型号 Model Code	外形尺寸 Outside Dimension (mm)			毛重(KG) G. Weight	净重(KG) N. Weight	装箱数(只) Qty/Carton	外箱尺寸(cm) Carton Dimension
	L	W	H				
CHA-DG 120 × 80 × 50	130	90	54	16.8	15.3	140	54 × 41.5 × 46
CHA-DG 150 × 110 × 70	160	118	70	13.0	11.5	60	65 × 36.5 × 40.5
CHA-DG 190 × 140 × 70	195	145	70	19.7	18.2	60	61.5 × 40.5 × 61.5
CHA-DG 240 × 190 × 90	255	200	95	13.5	12	20	52.5 × 41.5 × 53
CHA-DG 300 × 220 × 120	315	230	127	19.9	18.4	20	67 × 48 × 64.5
CHA-DG 380 × 300 × 120	395	315	126	18.3	16.8	10	64.5 × 40 × 66.5

CHA-KG 塑料扣系列

防水接线盒 | Waterproof Junction Box

CE、ROHS、IP65



CHA-KG 塑料扣系列

防水接线盒 | Waterproof Junction Box

壳体材料: ABS或PC
材料特性: 抗冲击性、耐热性、耐低温性、耐化学药品性及电气性能优良、表面光泽性好等特点
认证: CE、ROHS
防护等级: IP65
用途: 适用于室内、室外电气、通信、消防设备、钢铁冶炼、石油化工、电子、电力、铁路、建筑工地、采矿场、机场、宾馆、船舶、大型工厂、沿海工厂、卸货码头设备、污水处理设施、环境公害设施等。
安装方式: 1. 内部安装: 盒子内部有供线路板或DIN轨道元件安装的凸台, 及自带的铜接线螺母 (每只防水盒内部都配有最少二个以上的很常规的M4的铜螺母)
 2. 外部安装: 可通过盒体底部的安装孔直接固定于墙面 (可通过盒子的四个角, 直接用螺丝或钉子固定在墙上或板子上。)
进出线孔: 防水盒可以随意根据客户的使用要求在上面开孔, (开孔位置及开孔大小都可以按照客户指定要求加工。) 开孔后可以装有配套的防水夹紧接头, 达到防水最佳效果。

Body material: ABS or PC
Material characteristics: Impact, heat, low temperature and chemical resistance, excellent electrical performance and surface gloss, etc.
Certificates: CE, ROHS
Protection grade: IP65
Application: Suitable for indoor and outdoor electric, communication, fire fighting apparatus, iron and steel smelting, petrochemical industry, electron, power system, railway, building, mine, air and sea port, hotel, ship, works, waste water treatment equipment, environmental equipment and so on.
Installation: 1, Inside: There are the installation holes in the base for circuit board or din rail (More than 2 pcs of M4 brass nuts have been in each box).
 2, Outside: The products can be directly fixed on the wall or other flat boards with screws or nails via the screw holes in the base.
Outlet hole: Holes can be opened on the box as customers' requirements, and installing cable gland can bring with better waterproof performance.



型号 Model Code	外形尺寸 Outside Dimension (mm)			毛重(KG) G. Weight	净重(KG) N. Weight	装箱数(只) Qty/Carton	外箱尺寸(cm) Carton Dimension
	L	W	H				
CHA-KG 150 × 100 × 70	150	100	70	12.1	11.1	60	61.5 × 33.5 × 37
CHA-KG 150 × 150 × 90	150	150	90	9.3	8.3	30	46.5 × 33 × 47.5
CHA-KG 200 × 100 × 70	200	100	70	12.8	11.8	50	55 × 41 × 38
CHA-KG 220 × 170 × 110	220	170	110	16.8	15.8	30	58.5 × 46 × 58
CHA-KG 290 × 190 × 140	290	190	140	16.5	15.5	20	59.5 × 43.5 × 73
CHA-KG 330 × 330 × 130	330	330	130	15.5	14	10	67.5 × 35.5 × 68.5
CHA-KG 390 × 290 × 160	390	290	160	9.7	8.7	6	62 × 41 × 51.5

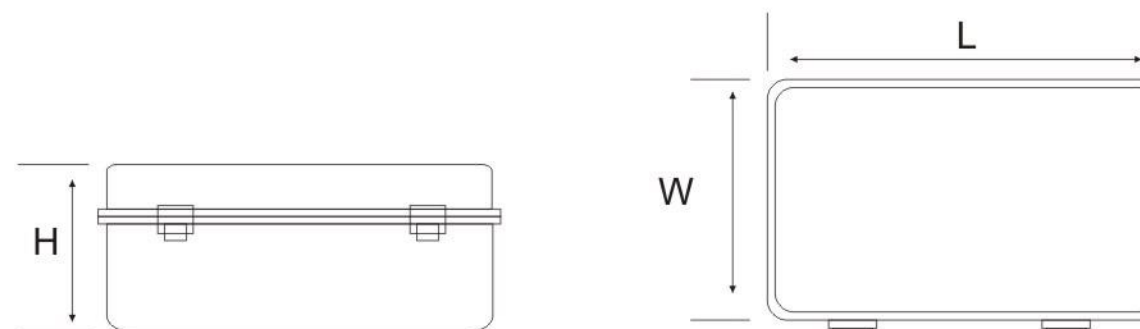


壳体材料: ABS或PC
材料特性: 抗冲击性、耐热性、耐低温性、耐化学药品性及电气性能优良、表面光泽性好等特点
认证: CE、ROHS
防护等级: IP65
用途: 适用于室内、室外电气、通信、消防设备、钢铁冶炼、石油化工、电子、电力、铁路、建筑工地、采矿场、机场、宾馆、船舶、大型工厂、沿海工厂、卸货码头设备、污水处理设施、环境公害设施等。
安装方式:
 1. 内部安装: 盒子内部有供线路板或DIN轨道元件安装的凸台, 及自带的铜接线螺母 (每只防水盒内部都配有最少二个以上的很常规的M4的铜螺母)
 2. 外部安装: 可通过盒体底部的安装孔直接固定于墙面 (可通过盒子的四个角, 直接用螺丝或钉子固定在墙上或板子上。)
进出线孔: 防水盒可以随意根据客户的使用要求在上面开孔, (开孔位置及开孔大小都可以按照客户指定要求加工。) 开孔后可以装有配套的防水夹紧接头, 达到防水最佳效果。

Body material: ABS or PC
Material characteristics: Impact, heat, low temperature and chemical resistance, excellent electrical performance and surface gloss, etc.
Certificates: CE, ROHS
Protection grade: IP65
Application: Suitable for indoor and outdoor electric, communication, fire fighting apparatus, iron and steel smelting, petrochemical industry, electron, power system, railway, building, mine, air and sea port, hotel, ship, works, waste water treatment equipment, environmental equipment and so on.
Installation:
 1, Inside: There are the installation holes in the base for circuit board or din rail (More than 2 pcs of M4 brass nuts have been in each box).
 2, Outside: The products can be directly fixed on the wall or other flat boards with screws or nails via the screw holes in the base.
Outlet hole: Holes can be opened on the box as customers' requirements, and installing cable gland can bring with better waterproof performance.



型号 Model Code	外形尺寸 Outside Dimension (mm)			毛重(KG) G. Weight	净重(KG) N. Weight	装箱数(只) Qty/Carton	外箱尺寸(cm) Carton Dimension
	L	W	H				
CHA-MG 300 × 200 × 160	300	200	160	12.9	11.4	8	61.5 × 46.5 × 34
CHA-MG 300 × 200 × 180	300	200	180	13.4	11.9	8	61.5 × 46.5 × 38.5
CHA-MG 300 × 300 × 180	300	300	180	13.8	12.3	6	61.5 × 34 × 56.5
CHA-MG 400 × 300 × 180	400	300	180	17.0	15.5	6	66 × 41 × 56.5
CHA-MG 500 × 400 × 200	500	400	200	13.5	12.0	3	51 × 44 × 63
CHA-MG 600 × 400 × 220	600	400	220	17.5	16.0	3	61.5 × 42.5 × 68.5



CHA-BG 不锈钢扣系列

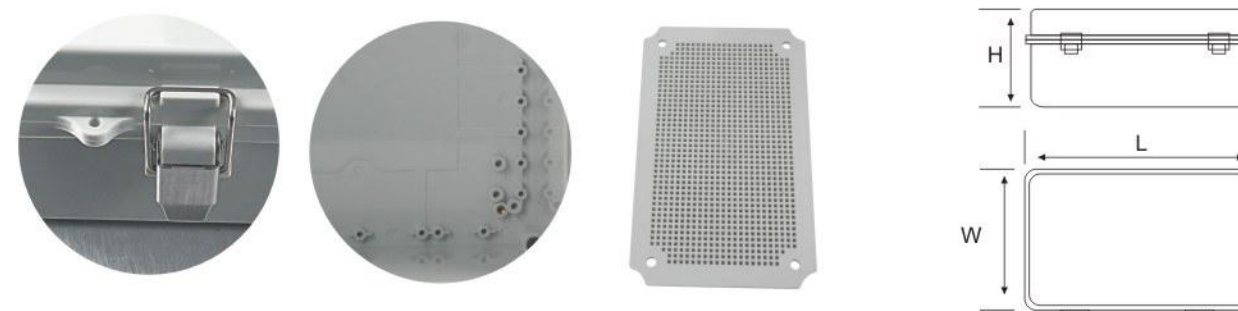
防水接线盒 | Waterproof Junction Box

CE、ROHS、IP65



壳体材料: ABS或PC
材料特性: 抗冲击性、耐热性、耐低温性、耐化学药品性及电气性能优良、表面光泽性好等特点
认证: CE、ROHS
防护等级: IP65
用途: 适用于室内、室外电气、通信、消防设备、钢铁冶炼、石油化工、电子、电力、铁路、建筑工地、采矿场、机场、宾馆、船舶、大型工厂、沿海工厂、卸货码头设备、污水处理设施、环境公害设施等。
安装方式: 1. 内部安装: 盒子内部有供线路板或DIN轨道元件安装的凸台, 及自带的铜接线螺母 (每只防水盒内部都配有最少二个以上的很常规的M4的铜螺母)
 2. 外部安装: 可通过盒体底部的安装孔直接固定于墙面 (可通过盒子的四个角, 直接用螺丝或钉子固定在墙上或板子上。)
进出线孔: 防水盒可以随意根据客户的使用要求在上面开孔, (开孔位置及开孔大小都可以按照客户指定要求加工。) 开孔后可以装有配套的防水夹紧固头, 达到防水最佳效果。

Body material: ABS or PC
Material characteristics: Impact, heat, low temperature and chemical resistance, excellent electrical performance and surface gloss, etc.
Certificates: CE, ROHS
Protection grade: IP65
Application: Suitable for indoor and outdoor electric, communication, fire fighting apparatus, iron and steel smelting, petrochemical industry, electron, power system, railway, building, mine, air and sea port, hotel, ship, works, waste water treatment equipment, environmental equipment and so on.
Installation: 1, Inside: There are the installation holes in the base for circuit board or din rail (More than 2 pcs of M4 brass nuts have been in each box).
 2, Outside: The products can be directly fixed on the wall or other flat boards with screws or nails via the screw holes in the base.
Outlet hole: Holes can be opened on the box as customers' requirements, and installing cable gland can bring with better waterproof performance.



型号 Model Code	外形尺寸 Outside Dimension (mm)			毛重(KG) G. Weight	净重(KG) N. Weight	装箱数(只) Qty/Carton	外箱尺寸(cm) Carton Dimension
	L	W	H				
CHA-BG 120 × 90 × 70	120	90	70	18.4	16.9	100	54 × 53 × 37.5
CHA-BG 150 × 100 × 70	150	100	70	22	20.5	90	59 × 49 × 45
CHA-BG 150 × 150 × 90	150	150	90	22	20.5	60	67.5 × 48.5 × 47.5
CHA-BG 210 × 110 × 75	210	110	75	21	19.5	60	64.5 × 45 × 48
CHA-BG 210 × 160 × 100	210	160	100	15	13.5	30	64.5 × 55.5 × 48
CHA-BG 220 × 170 × 110	220	170	110	17.8	16.3	30	53 × 45 × 51.5
CHA-BG 260 × 110 × 75	260	110	75	24.3	22.8	60	57 × 47 × 58
CHA-BG 260 × 160 × 100	260	160	100	17.8	16.3	30	55 × 53.5 × 52.5
CHA-BG 280 × 190 × 140	280	190	140	17.1	15.6	20	59 × 42 × 73
CHA-BG 300 × 200 × 130	300	200	130	17.8	16.3	20	63 × 45 × 67.5
CHA-BG 300 × 300 × 180	300	300	180	9.3	7.8	6	65 × 32 × 56
CHA-BG 350 × 250 × 150	350	250	150	15.3	13.8	12	81.5 × 37 × 62.5
CHA-BG 380 × 280 × 130	380	280	130	14.3	12.8	10	61 × 39.5 × 66
CHA-BG 400 × 300 × 180	400	300	180	11.6	10.1	6	64 × 42 × 55
CHA-BG 450 × 350 × 200	450	350	200	16.7	15.2	6	75.5 × 47 × 62
CHA-BG 500 × 400 × 200	500	400	200	10.2	8.7	3	52 × 44 × 61
CHA-BG 630 × 530 × 250	630	530	250	17.2	15.7	3	65 × 56.5 × 79



壳体材料: ABS
 透明门板: PC
 接线端子: 铜
 材料特性: 抗冲击性、耐热性、耐低温性、耐化学药品性及电气性能优良、表面光泽性好等特点

认证: CE、ROHS

防护等级: IP50

用途: 适用于室内、室外电气、通信、消防设备、钢铁冶炼, 石油化工, 电子、电力, 铁路, 建筑工地, 采矿场, 机场, 宾馆, 船舶、大型工厂、沿海工厂、卸货码头设备、污水处理设施、环境公害设施等。

安装方式: 1. 内部安装: 盒子内部有供导轨式断路器安装的导轨, 及用于接线的零线排和地线排。
 2. 外部安装: 可通过箱体底部的安装孔直接固定于墙面 (可通过盒子的四个角, 直接用螺丝或钉子固定在墙上或板子上。)

进出线孔: 箱体设有可供穿线的预留孔。

Body material: ABS

Transparent door: PC

Earth/Natural bars: Brass

Material characteristics: Impact, heat, low temperature and chemical resistance, excellent electrical performance and surface gloss, etc.

Certificates: CE, ROHS

Protection grade: IP50

Application: Suitable for indoor and outdoor electric, communication, fire fighting apparatus, iron and steel smelting, petrochemical industry, electron, power system, railway, building, mine, air and sea port, hotel, ship, works, waste water treatment equipment, environmental equipment and so on.

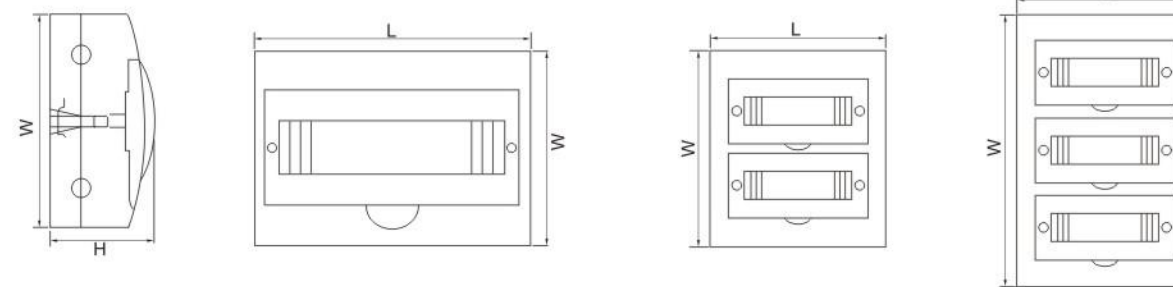
Installation: 1, Inside: There are din rail inside for din-rail type circuit breakers, earth bar and natural bar for cable connection.

2, Outside: The products can be directly fixed on the wall or other flat boards with screws or nails via the screw holes in the base.

Outlet hole: The plastic plate in the hole can be knocked off for cables.



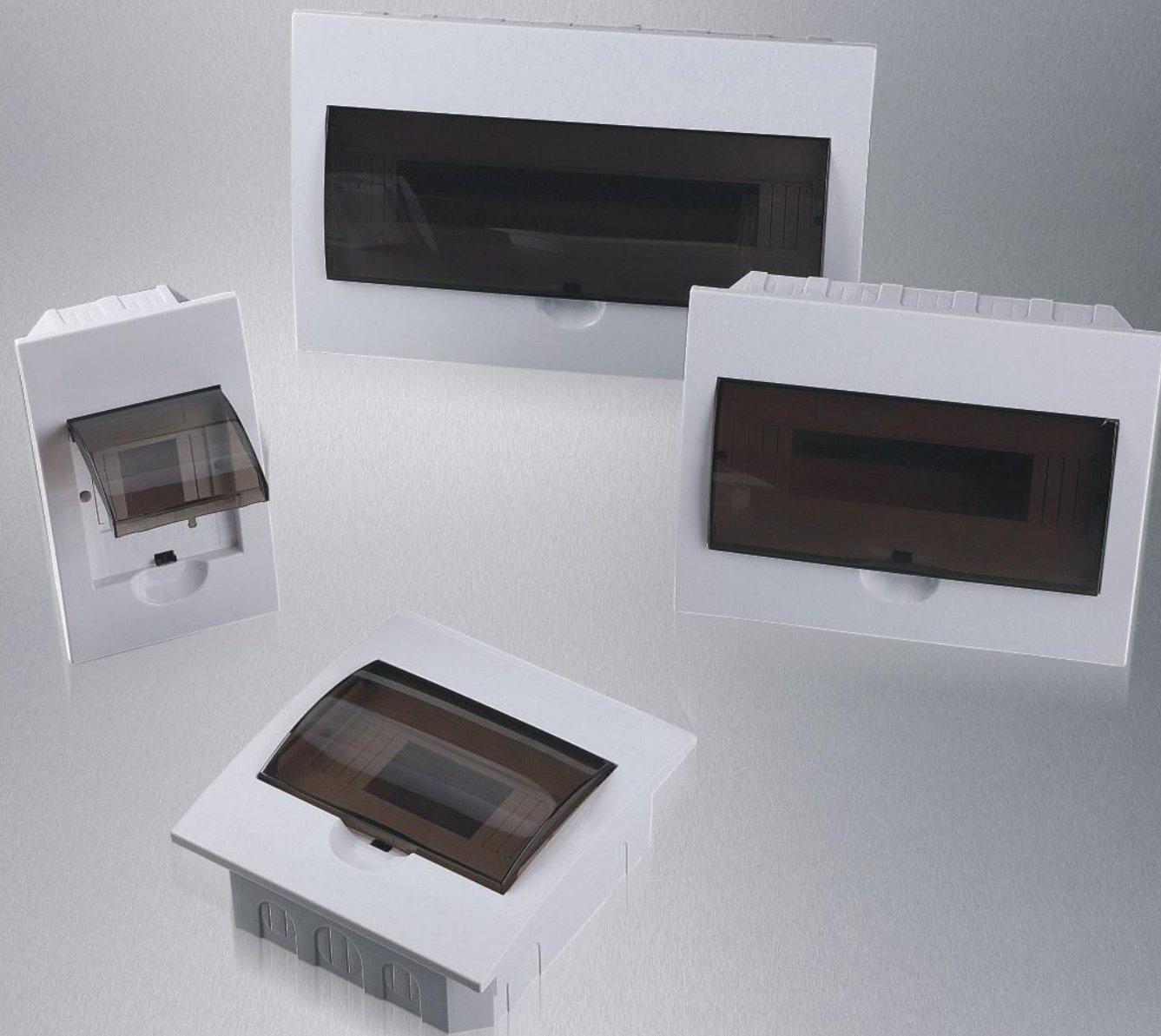
型号 Model Code	外形尺寸 Outside Dimension (mm)			毛重(KG) G. Weight	净重(KG) N. Weight	装箱数(只) Qty/Carton	外箱尺寸(cm) Carton Dimension
	L	W	H				
CHA-MS 2-3WAY				15	12	50	52 × 48 × 32
CHA-MS 4WAY	112	200	95	11.5	8.7	30	51 × 36 × 42.5
CHA-MS 6WAY	148	200	95	14.9	11.5	30	51 × 42.5 × 48.5
CHA-MS 8WAY	184	200	95	16.7	12.8	30	52 × 42.5 × 58.5
CHA-MS 10WAY	222	200	95	13	9.8	20	51 × 43 × 47.5
CHA-MS 12WAY	256	200	95	14.8	11.5	20	51 × 43 × 54
CHA-MS 15WAY	310	200	95	12.8	9.9	15	51 × 33 × 63.5
CHA-MS 18WAY	365	222	95	15.2	12.8	15	52.5 × 38 × 70
CHA-MS 24WAY	271	325	97	13.2	10.3	10	53.5 × 34 × 56.5
CHA-MS 36WAY	271	462	100	18.5	14.8	5	54.5 × 28.5 × 48



CHA-MF系列

防水接线盒 | Waterproof Junction Box

CE、ROHS、IP50



CHA-MF系列

暗装配电箱 | Flush distribution box

壳体材料: ABS

透明门板: PC

接线端子: 铜

材料特性: 抗冲击性、耐热性、耐低温性、耐化学药品性及电气性能优良、表面光泽性好等特点

认证: CE、ROHS

防护等级: IP50

用途: 适用于室内、室外电气、通信、消防设备、钢铁冶炼, 石油化工, 电子、电力, 铁路, 建筑工地, 采矿场, 机场, 宾馆, 船舶、大型工厂、沿海工厂、卸货码头设备、污水处理设施、环境公害设施等。

安装方式: 1. 内部安装: 盒子内部有供导轨式断路器安装的导轨, 及用于接线的零线排和地线排。

2. 外部安装: 可通过盒体底部的安装孔直接嵌入于墙内。

进出线孔: 箱体设有可供穿线的预留孔。

Body material: ABS

Transparent door: PC

Earth/Natural bars: Brass

Material characteristics: Impact, heat, low temperature and chemical resistance, excellent electrical performance and surface gloss, etc.

Certificates: CE, ROHS

Protection grade: IP50

Application: Suitable for indoor and outdoor electric, communication, fire fighting apparatus, iron and steel smelting, petrochemical industry, electron, power system, railway, building, mine, air and sea port, hotel, ship, works, waste water treatment equipment, environmental equipment and so on.

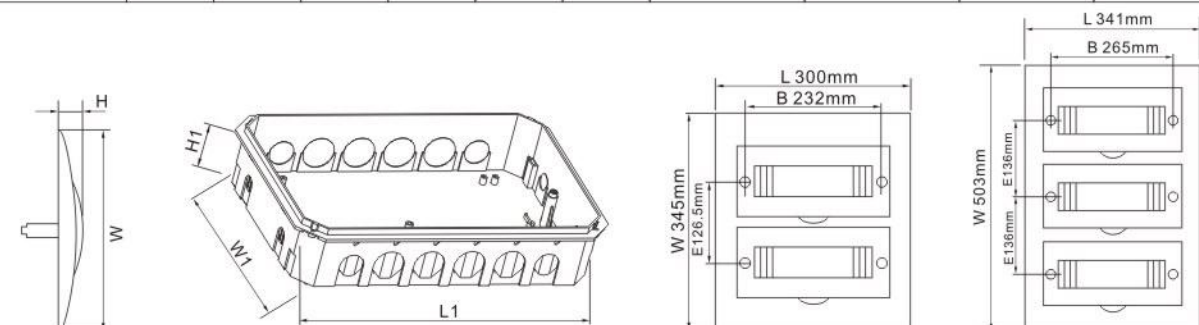
Installation: 1. Inside: There are din rail inside for din-rail type circuit breakers, earth bar and natural bar for cable connection.

2. Outside: The products can be directly fixed in the wall with screws or nails via the screw holes in the base.

Outlet hole: The plastic plate in the hole can be knocked off for cables.



型号 Model Code	外形尺寸 Outside Dimension (mm)						毛重(KG) G. Weight	净重(KG) N. Weight	装箱数(只) Qty/Carton	外箱尺寸(cm) Carton Dimension
	L1	W1	H1	L	W	H				
CHA-MF 4WAY	115	197	60	136	222	27	12.4	8.7	30	52.5 × 43 × 47
CHA-MF 6WAY	148	197	60	170	222	27	14.9	11.1	30	48.5 × 47.5 × 54
CHA-MF 8WAY	184	197	60	207	222	27	17.7	13.2	30	64 × 52.5 × 46.5
CHA-MF 10WAY	222	197	60	243	222	27	13.2	9.8	20	51 × 47.5 × 48.5
CHA-MF 12WAY	258	197	60	279	222	27	14.7	11	20	47.5 × 45 × 60.5
CHA-MF 15WAY	310	197	60	334	222	27	12.3	9.3	15	49.5 × 35.5 × 71
CHA-MF 18WAY	365	219	67	398	251	27	16.6	12.9	15	57.5 × 42 × 78
CHA-MF 24WAY	258	310	66	300	345	27	13	10	10	57 × 36.5 × 63
CHA-MF 36WAY	258	449	66	300	484	27	18.1	14.2	5	54 × 31.5 × 50.2



CHA-HT 系列

防水接线盒 | Waterproof Junction Box

CE、ROHS、IP65



CHA-HT 系列

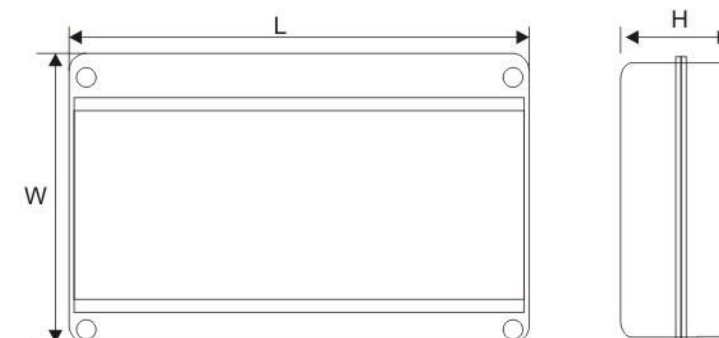
明装配电箱 | Surface distribution box

壳体材料: ABS
 透明门板: PC
 材料特性: 抗冲击性、耐热性、耐低温性、耐化学药品性及电气性能优良、表面光泽性好等特点
 认证: CE、ROHS
 防护等级: IP65
 用途: 适用于室内、室外电气、通信、消防设备、钢铁冶炼, 石油化工, 电子、电力, 铁路, 建筑工地, 采矿场, 机场, 宾馆, 船舶、大型工厂、沿海工厂、卸货码头设备、污水处理设施、环境公害设施等。
 安装方式: 1. 内部安装: 盒子内部有供导轨式断路器安装的导轨, 及用于接线的零线排和地线排。
 2. 外部安装: 可通过盒体底部的安装孔直接固定于墙面 (可通过盒子的四个角, 直接用螺丝或钉子固定在墙上或板子上。)
 进出线孔: 箱体设有可供穿线的预留孔。

Body material: ABS
 Transparent door: PC
Material characteristics: Impact, heat, low temperature and chemical resistance, excellent electrical performance and surface gloss, etc.
Certificates: CE, ROHS
Protection grade: IP65
Application: Suitable for indoor and outdoor electric, communication, fire fighting apparatus, iron and steel smelting, petrochemical industry, electron, power system, railway, building, mine, air and sea port, hotel, ship, works, waste water treatment equipment, environmental equipment and so on.
Installation: 1, Inside: There are din rail inside for din-rail type circuit breakers, earth bar and natural bar for cable connection.
 2, Outside: The products can be directly fixed on the wall or other flat boards with screws or nails via the screw holes in the base.
Outlet hole: The plastic plate in the hole can be knocked off for cables.



型号 Model Code	外形尺寸 Outside Dimension (mm)			毛重(KG) G. Weight	净重(KG) N. Weight	装箱数(只) Qty/Carton	外箱尺寸(cm) Carton Dimension
	L	W	H				
CHA-HT 5WAYS	115	150	90	13	11.9	40	49 × 33 × 48
CHA-HT 8WAYS	197	150	90	14.2	13.2	30	48 × 41.5 × 48.5
CHA-HT 12WAYS	250	193	105	16.3	15.3	20	52.5 × 40.5 × 57
CHA-HT 15WAYS	305	195	105	18.5	17.5	20	63 × 40.5 × 57
CHA-HT 18WAYS	360	198	105	20.4	19.4	20	74 × 40.5 × 57
CHA-HT 24WAYS	270	350	105	14.6	13.6	10	56.5 × 36.5 × 56.5



CHA-S 系列

防水接线盒 | Waterproof Junction Box

CE、ROHS、IP30



CHA-S 系列

明装配电箱 | Surface distribution box

壳体材料: ABS

材料特性: 抗冲击性、耐热性、耐低温性、耐化学药品性及电气性能优良、表面光泽性好等特点

认证: CE、ROHS

防护等级: IP30

用途: 适用于室内、室外电气、通信、消防设备、钢铁冶炼, 石油化工, 电子、电力, 铁路, 建筑工地, 采矿场, 机场, 宾馆, 船舶、大型工厂、沿海工厂、卸货码头设备、污水处理设施、环境公害设施等。

安装方式: 1. 内部安装: 盒子内部有供导轨式断路器安装的导轨。
2. 外部安装: 可通过箱体底部的安装孔直接固定于墙面 (可通过盒子的四个角, 直接用螺丝或钉子固定在墙上或板上。)

进出线孔: 箱体设有可供穿线的预留孔。

Body material: ABS

Material characteristics: Impact, heat, low temperature and chemical resistance, excellent electrical performance and surface gloss, etc.

Certificates: CE, ROHS

Protection grade: IP30

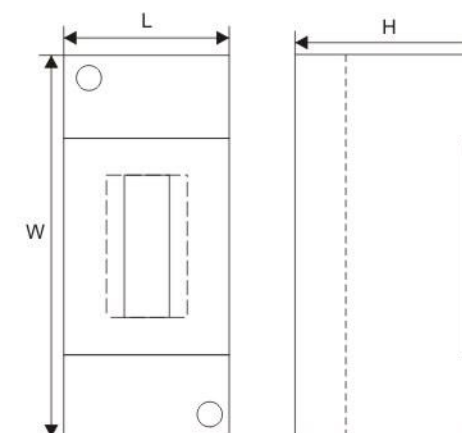
Application: Suitable for indoor and outdoor electric, communication, fire fighting apparatus, iron and steel smelting, petrochemical industry, electron, power system, railway, building, mine, air and sea port, hotel, ship, works, waste water treatment equipment, environmental equipment and so on.

Installation: 1, Inside: There are din rail inside for din-rail type circuit breakers .
2, Outside: The products can be directly fixed on the wall or other flat boards with screws or nails via the screw holes in the base.

Outlet hole: The plastic plate in the hole can be knocked off for cables.



型号 Model Code	外形尺寸 Outside Dimension (mm)			毛重(KG) G. Weight	净重(KG) N. Weight	装箱数(只) Qty/Carton	外箱尺寸(cm) Carton Dimension
	L	W	H				
CHA-S 1WAY	34	130	60	18	16.5	300	41 × 34.5 × 64
CHA-S 2WAY	52	130	60	17.3	15.8	240	54.5 × 32 × 66
CHA-S 4WAY	87	130	60	10.9	9.4	100	55 × 32 × 47



CHA-S 系列

防水接线盒 | Waterproof Junction Box

CE、ROHS、IP30



CHA-S 系列

明装配电箱 | Surface distribution box

壳体材料: ABS

材料特性: 抗冲击性、耐热性、耐低温性、耐化学药品性及电气性能优良、表面光泽性好等特点

认证: CE、ROHS

防护等级: IP30

用途: 适用于室内、室外电气、通信、消防设备、钢铁冶炼, 石油化工, 电子、电力, 铁路, 建筑工地, 采矿场, 机场, 宾馆, 船舶、大型工厂、沿海工厂、卸货码头设备、污废水处理设施、环境公害设施等。

安装方式: 1. 内部安装: 盒子内部有供导轨式断路器安装的导轨。
2. 外部安装: 可通过箱体底部的安装孔直接固定于墙面 (可通过盒子的四个角, 直接用螺丝或钉子固定在墙上或板上。)

进出线孔: 箱体设有可供穿线的预留孔。

Body material: ABS

Material characteristics: Impact, heat, low temperature and chemical resistance, excellent electrical performance and surface gloss, etc.

Certificates: CE, ROHS

Protection grade: IP30

Application: Suitable for indoor and outdoor electric, communication, fire fighting apparatus, iron and steel smelting, petrochemical industry, electron, power system, railway, building, mine, air and sea port, hotel, ship, works, waste water treatment equipment, environmental equipment and so on.

Installation: 1, Inside: There are din rail inside for din-rail type circuit breakers .
2, Outside: The products can be directly fixed on the wall or other flat boards with screws or nails via the screw holes in the base.

Outlet hole: The plastic plate in the hole can be knocked off for cables.



型号 Model Code	外形尺寸 Outside Dimension (mm)			毛重(KG) G. Weight	净重(KG) N. Weight	装箱数(只) Qty/Carton	外箱尺寸(cm) Carton Dimension
	L	W	H				
CHA-S 1WAY	34	130	60	18	16.5	300	41 × 34.5 × 64
CHA-S 2WAY	52	130	60	17.3	15.8	240	54.5 × 32 × 66
CHA-S 4WAY	87	130	60	10.9	9.4	100	55 × 32 × 47

